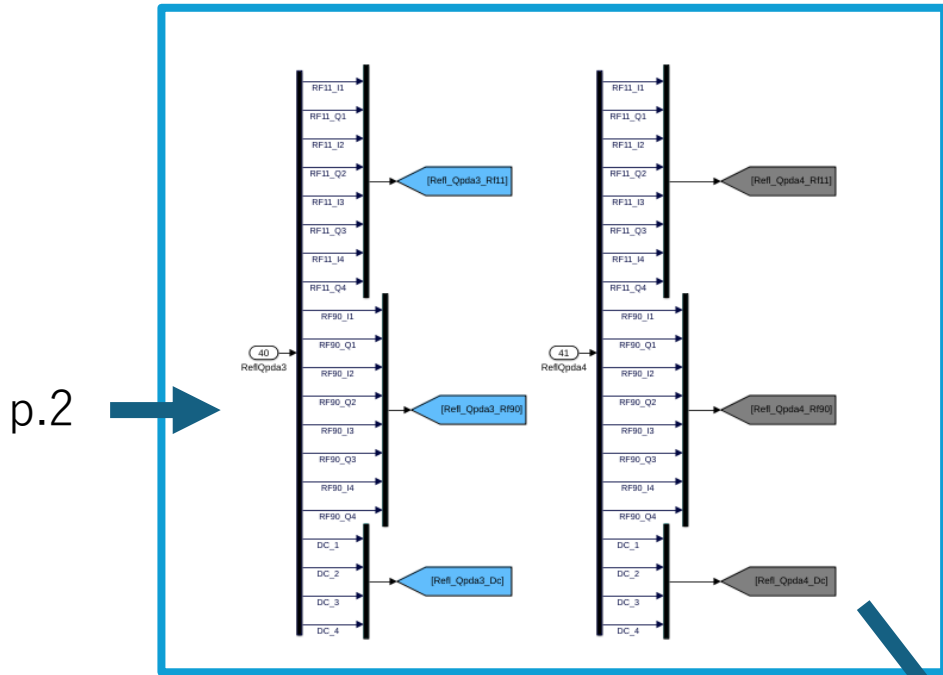


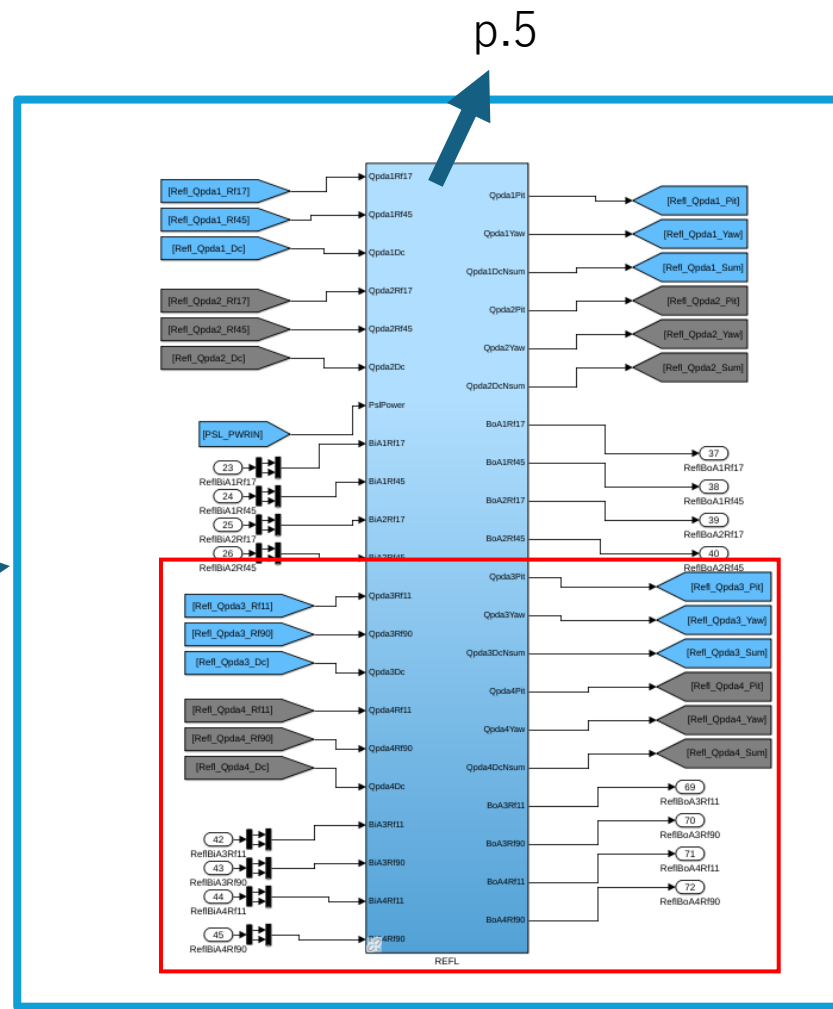
klog29445

Chiaki Hirose

K1asc②

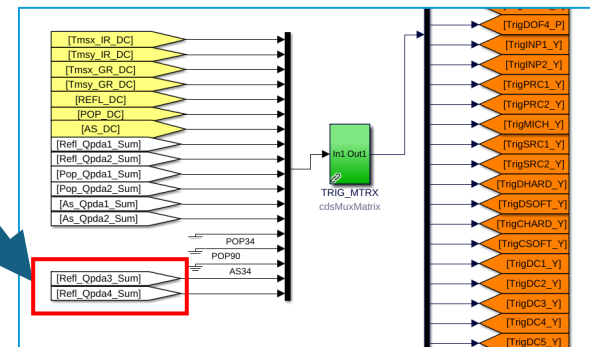


Added QPD3 and QPD4

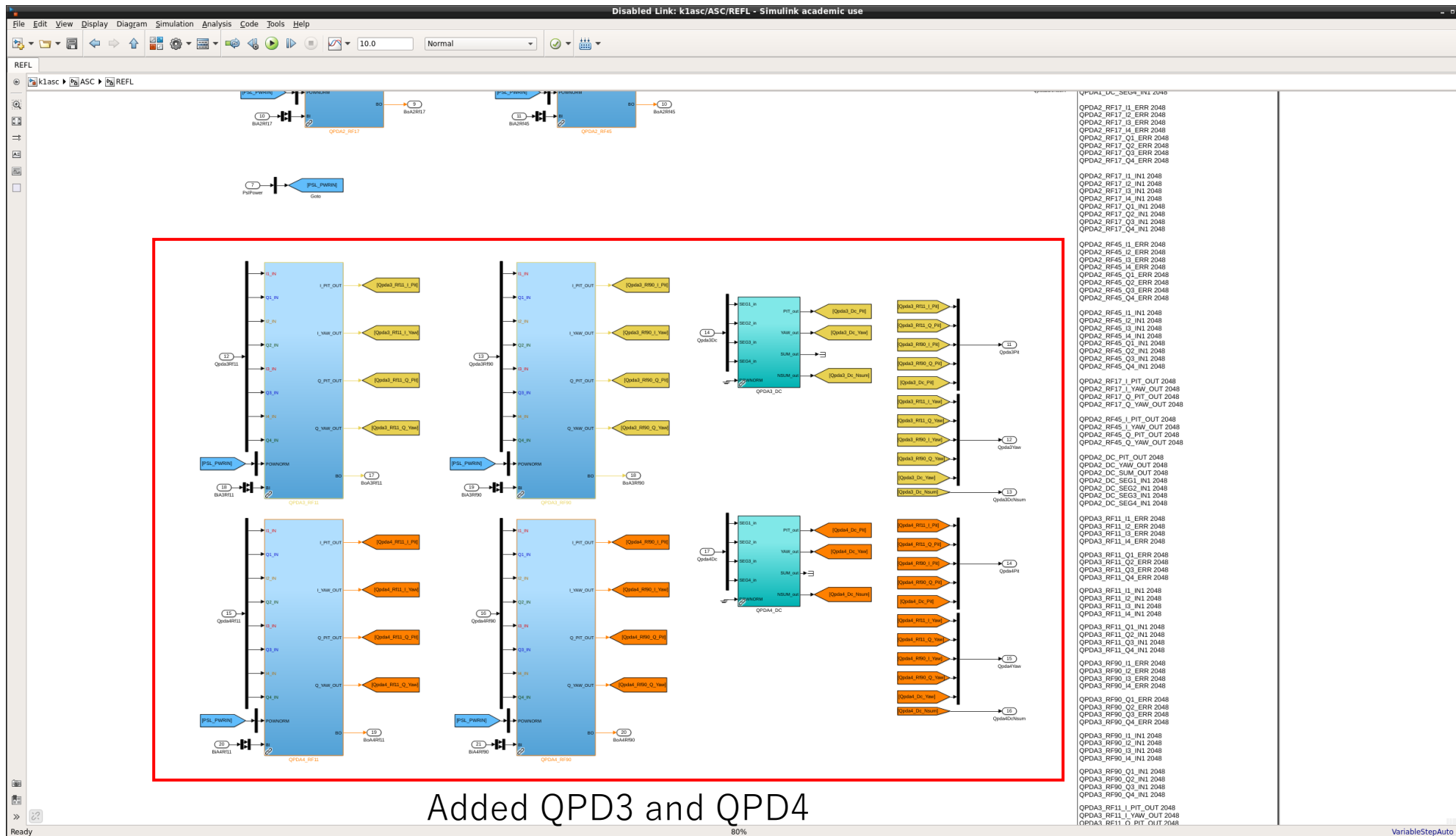


Added
Added REFLQPD3, 4 to
the subsystem "REFL"
that adjusts the
demodulation phase
within REFL.

DC
signal



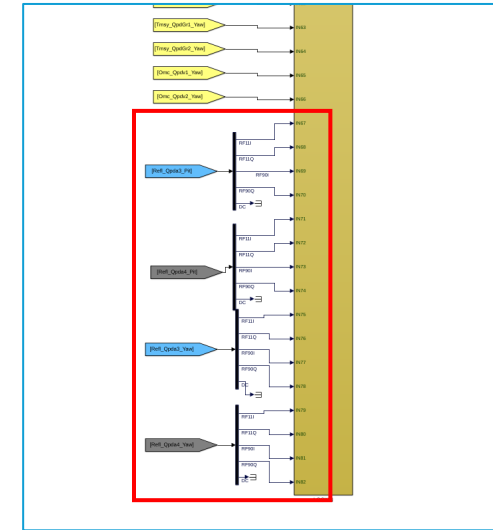
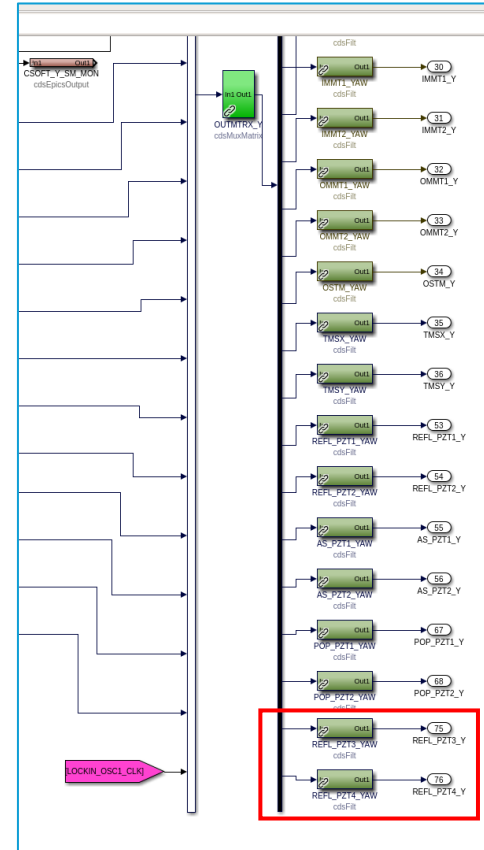
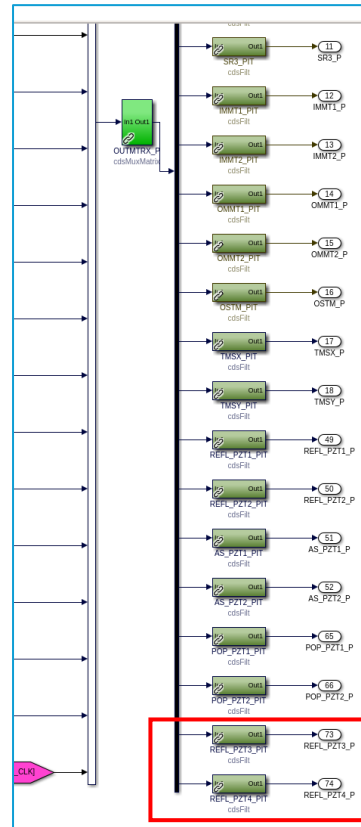
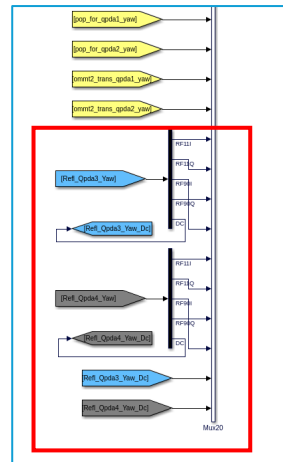
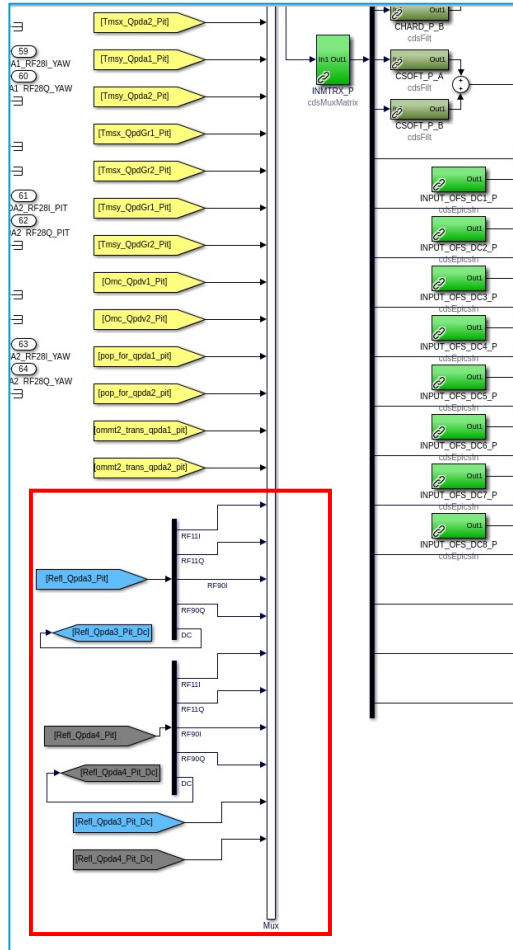
K1asc③



Added QPD3 and QPD4

K1asc④

Add to the bottom of each matrix



RFQPD and RF signals added to LOCKIN matrix

Add RFQPD, RF and DC signals to input matrix (pit,yaw)

Add PZT signal to actuator matrix (pit,yaw)

k11001, k1psliss

- Added "No_zero_pad=1"

