

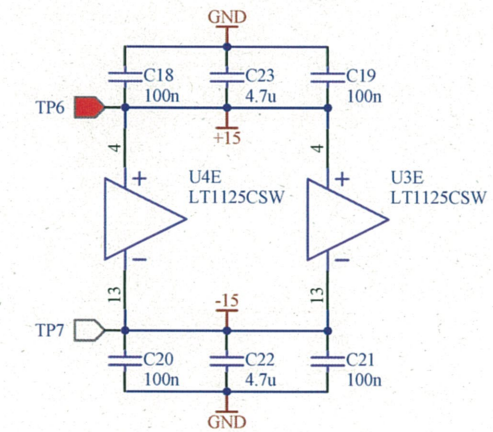
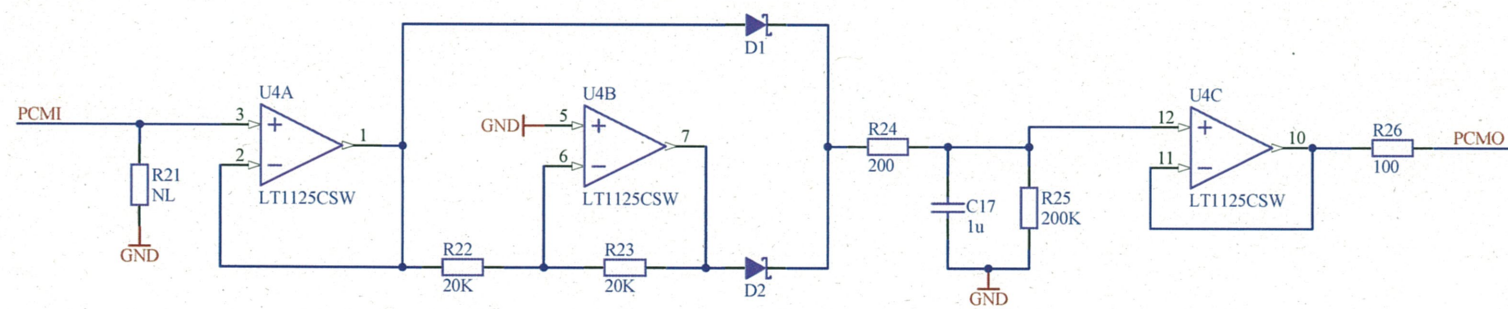
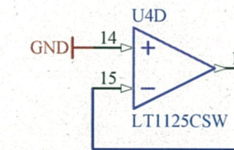
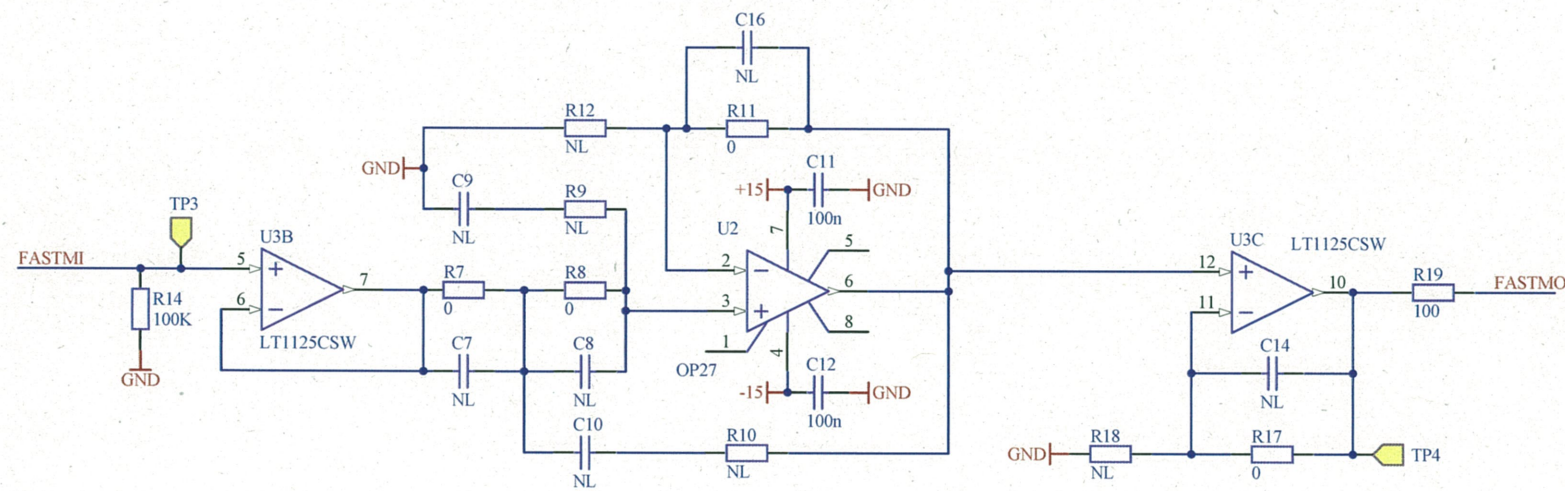
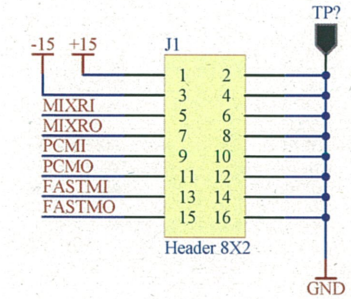
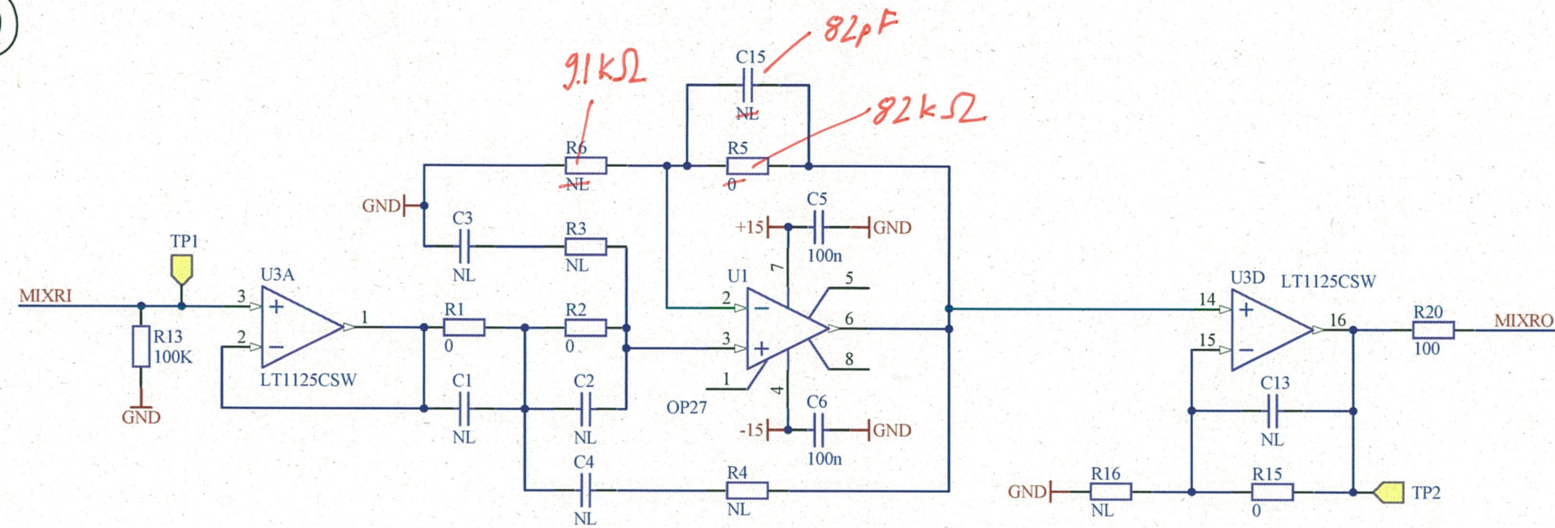
Title			TT FFS: PZT Path		
Size	Number	Revision			
B	D040105 / 002	C			
Date:	9/4/2009	Sheet 3 of 3			
File:	C:\Users\...ATTFFS3.SchDoc	Drawn By:	P. Schwinberg/J. Myers		

See also Klog 5155 for all changes to the PML TTFFS.





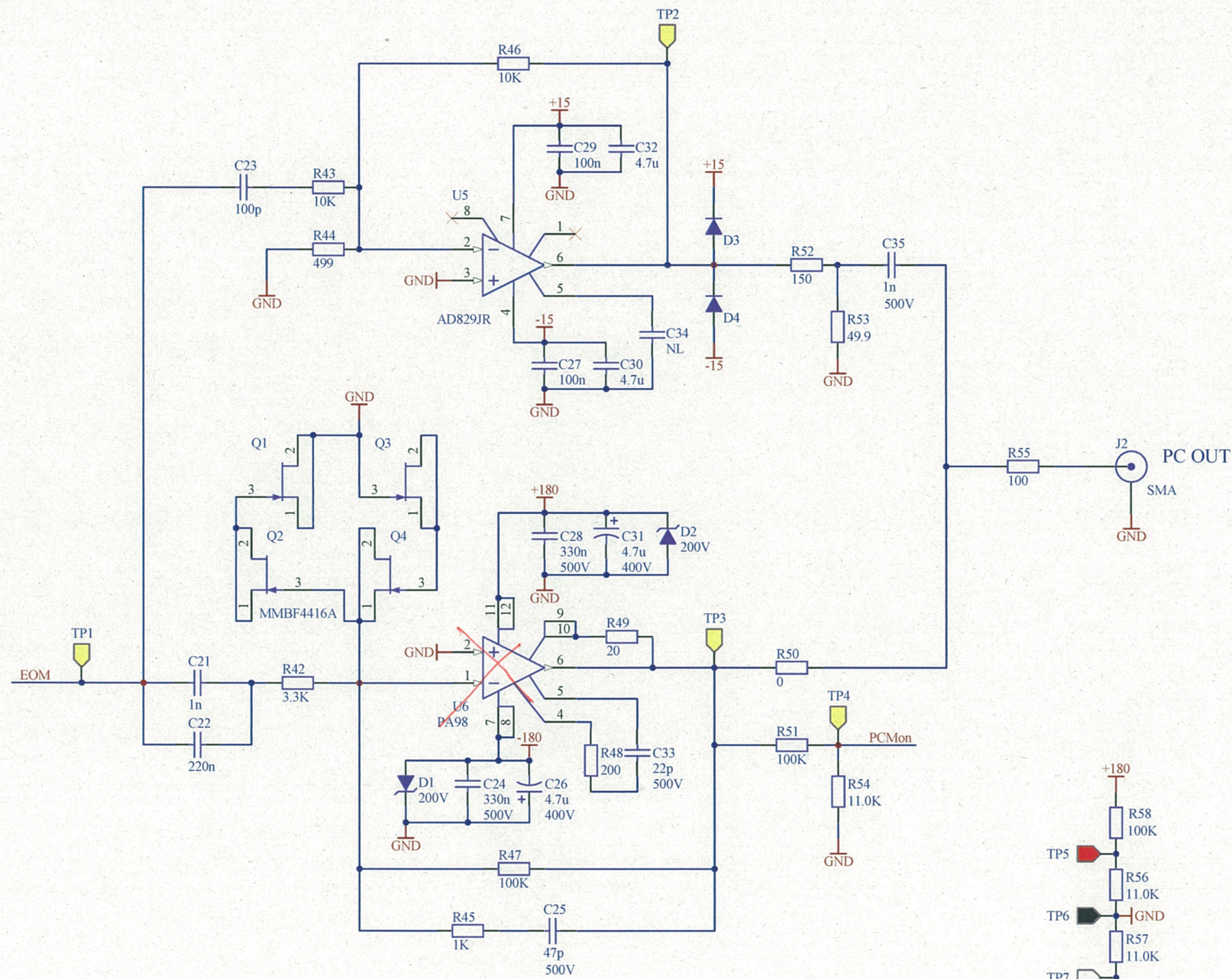
KLog 5326 & 5327



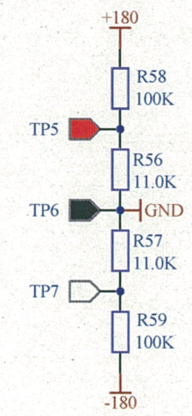
Title		
<b>TTFSS Daughter Board</b>		
Size	Number	Revision
B	<b>D040424 / 002</b>	<b>B</b>
Date:	9/4/2009	Sheet 1 of 1
File:	C:\Users\... \TTFSSD.SchDoc	Drawn By: P. Schwinberg/J. Myers

002





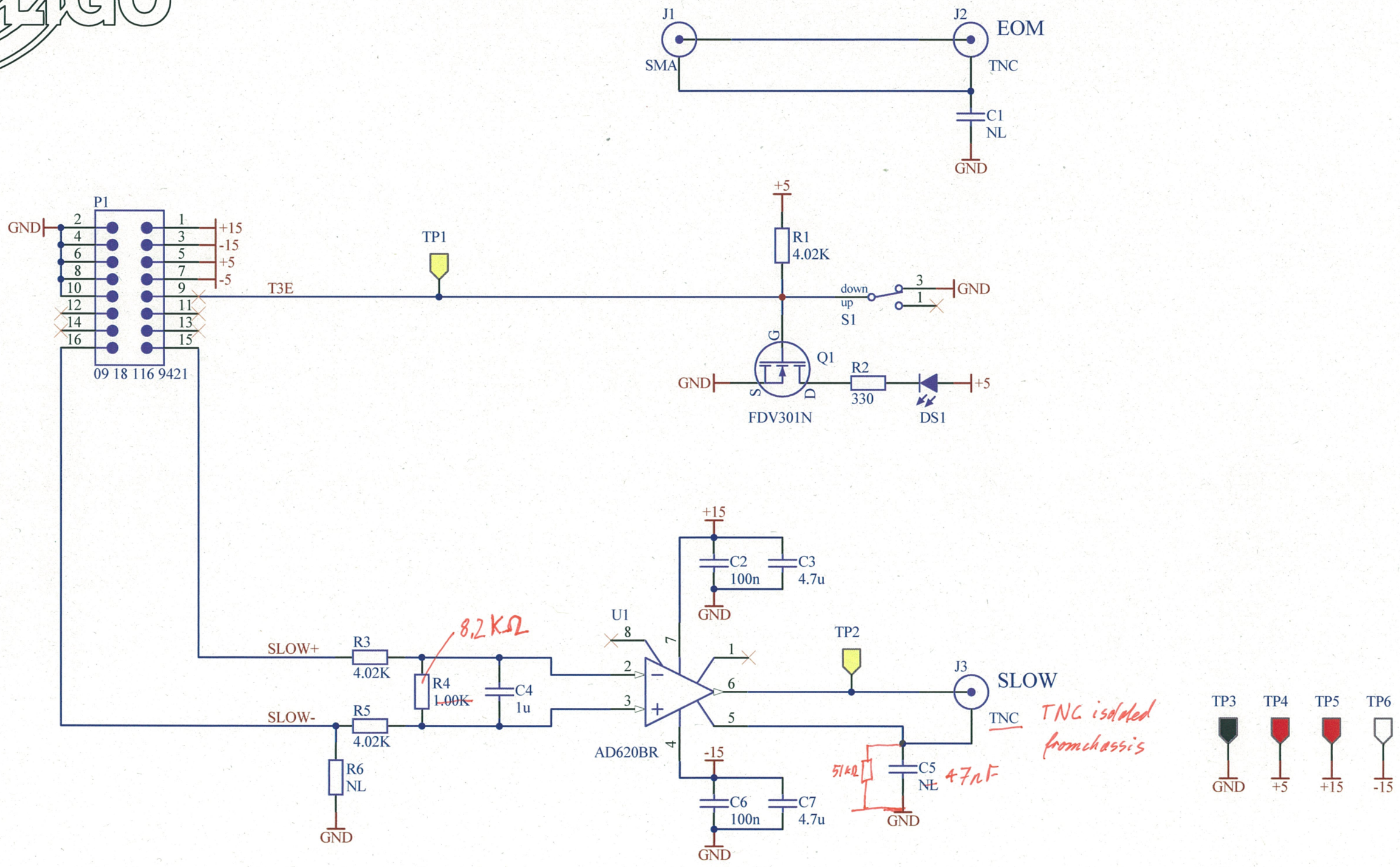
U6 polled  
klog 5203



Title			<b>TTFFS: HV/Interface</b>		
Size	Number			Revision	
B	<b>D0901893 / 002</b>			<b>A</b>	
Date:	9/4/2009	Sheet 3 of 3		Drawn By: P. Schwinberg/J. Myers	
File:	C:\Users\...TTFFSSHV3.SchDoc				

51503973



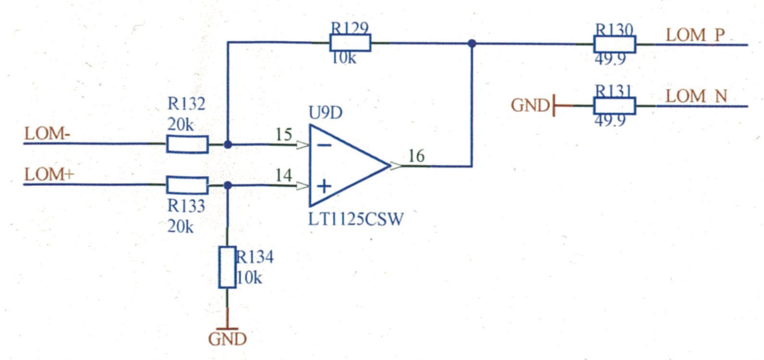
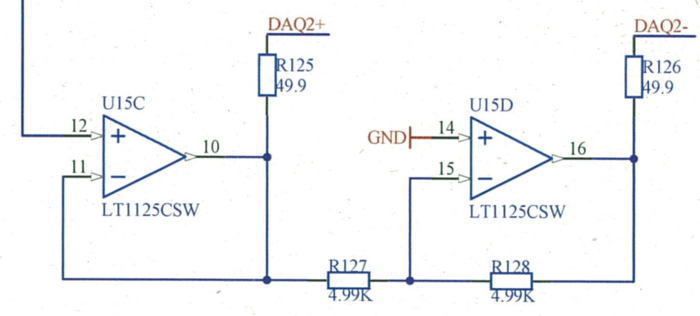
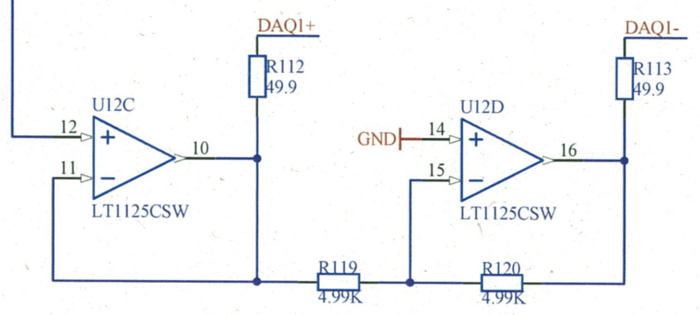
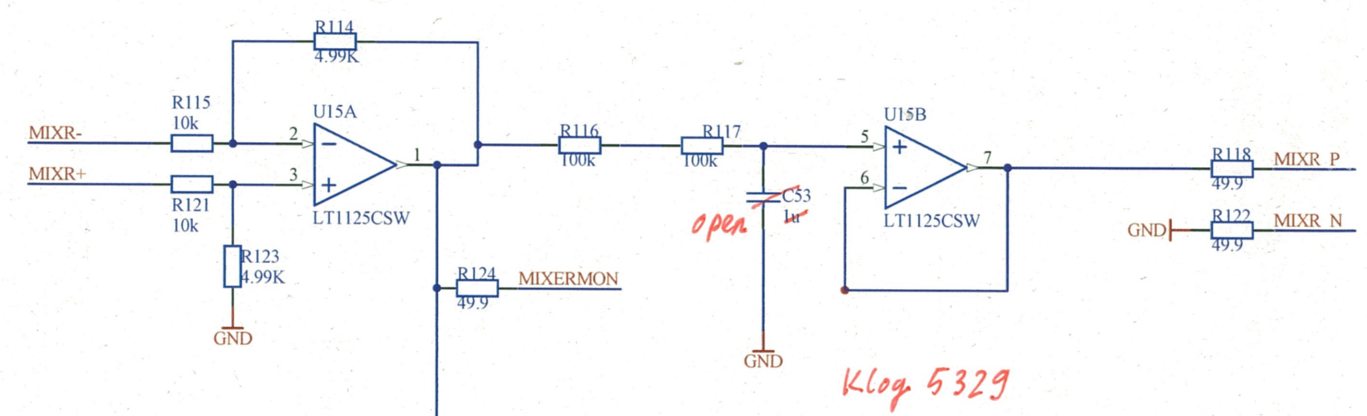
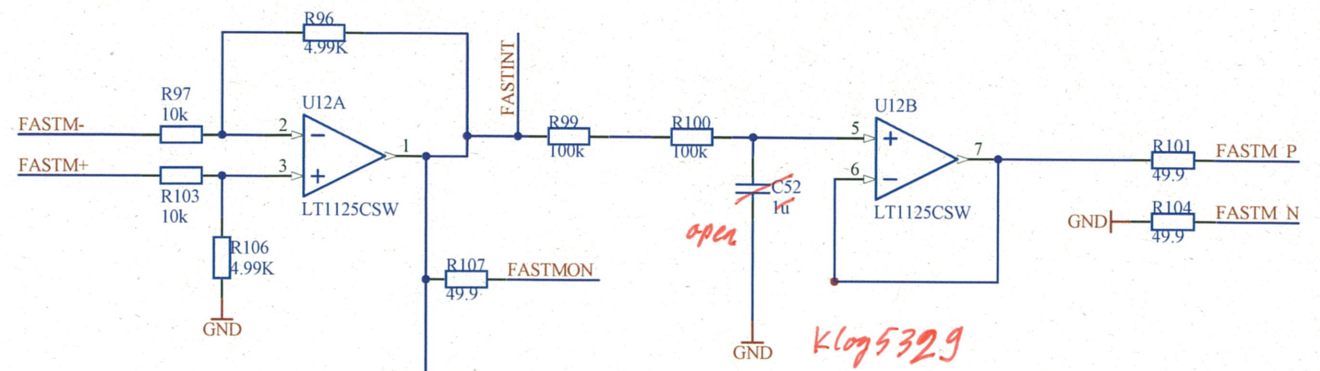
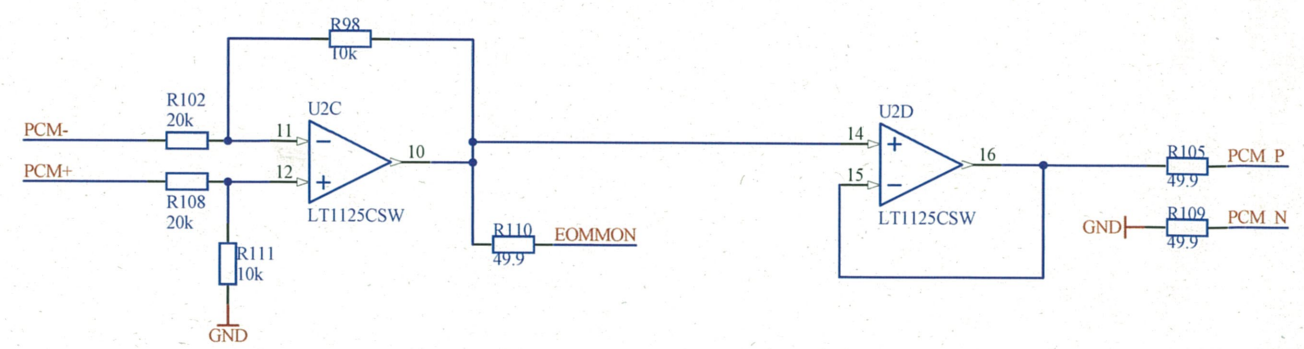


*kLog 5254*

*TNC isolated from chassis*

Title <b>TTFSS: Slow</b>		
Size A	Number <b>D0901895</b>	Revision <b>A</b>
Date: 9/4/2009	Sheet 1 of 1	
File: C:\Users\...\TTFSSSlow1.SchDoc	Drawn By: P. Schwinberg/J. Myers	





Title		
<b>TTFSS Interface Board pg 5</b>		
Size	Number	Revision
B	<b>D040423</b>	<b>C</b>
Date:	1/12/2010	Sheet of
File:	C:\Users\...TTFSS15.SchDoc	Drawn By:

S1503961