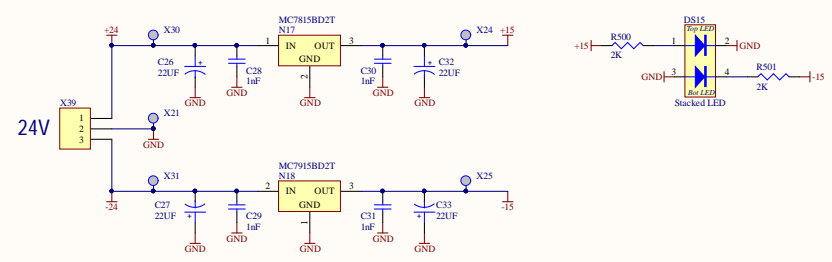
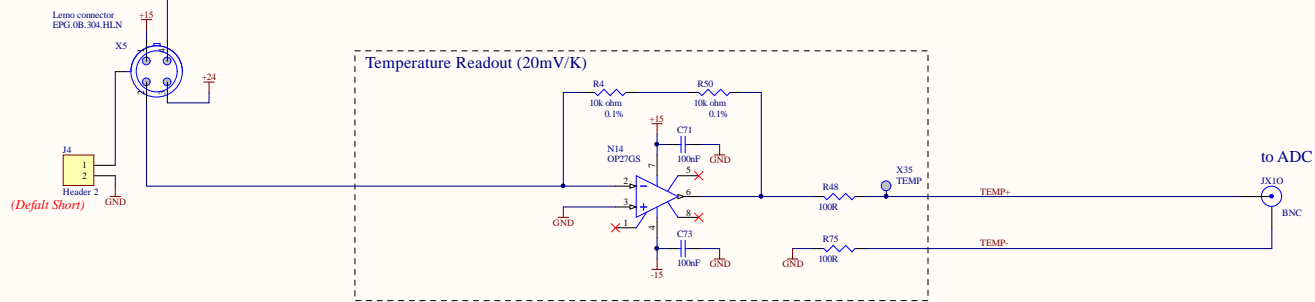


AD590 between pin 1 and 2
Heater between pin 3 and 4



1st. 2018/xx/xx

extracted a part of D1001618-v1(ilspmc_servo3)
Based Designed ilspmc_servo3 by Patrick Kwee at 23 Jun 2010

| | | | | | |
|--------------------------------------|----------------------|--|-----------------------|------------------|---------------|
| Title: <i>Temperature Controller</i> | | KAGRA Project ICRR University of Tokyo | | Date: 2018/05/29 | |
| Size: C | Doc Number: D180xxxx | SCHPCB Revision: V1.0 | Engineer: Katsuharu M | Time: 16:45:39 | Sheet: 1 of 1 |
| File: temp_ctrl_SchDoc | | | | | |

