

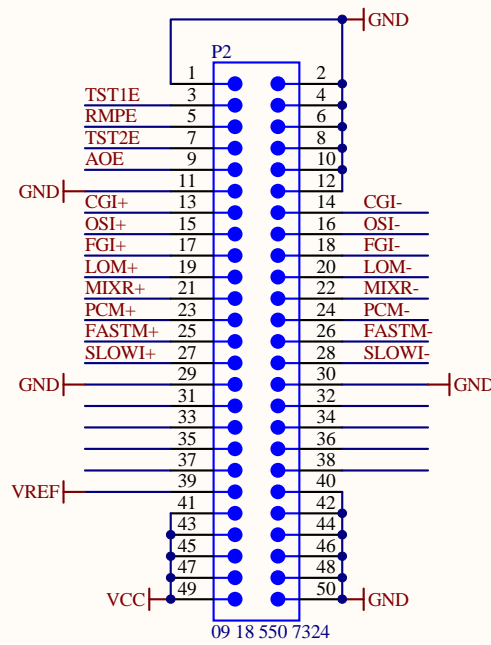
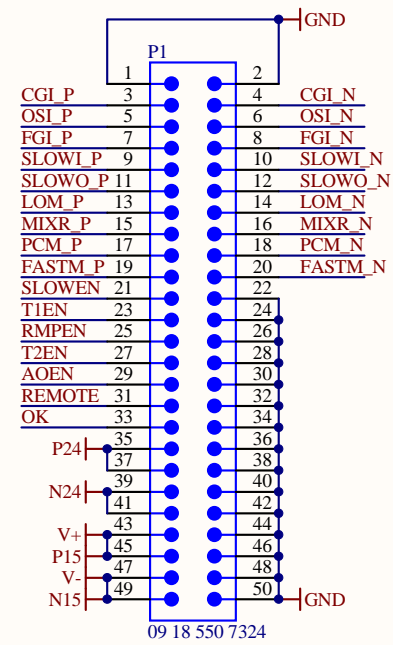


KAGRA「TTFSS Interface Board」はLIGOの回路、PCBデータをそのまま流用しています。  
NO. バージョンは以下になります。

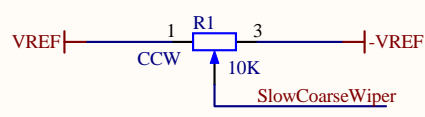
LIGO-D040423 Rev. C

Title		
<b>TTFSS Interface Board</b>		
Size	Number	Revision
	<b>LIGO-D040423</b>	<b>C</b>
Drawn By: Thomas Corbitt		

Title		KAGRA Project		ICRR		University of Tokyo		KAGRA	
Size: <b>B</b>	Doc Number: JGW-D1301831	SCH/PCB Revision: V1.0	Engineer: Kamiizumi,M	Date: 2013/09/17	Time: 11:04:12	Sheet 0 of *			
File: TTFSS10_KAGRA.SchDoc									

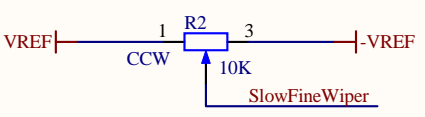


### Slow Coarse Actuation



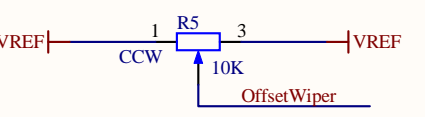
R1A Potentiometer  
Mouser  
652-3610S-1-103

### Slow Fine Actuation



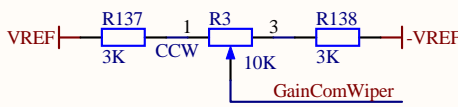
R2A Potentiometer  
Mouser  
652-3610S-1-103

### Offset Actuation



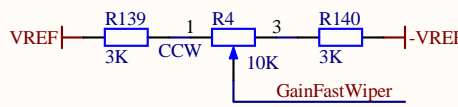
R5A Potentiometer  
Mouser  
652-3610S-1-103

### Common Gain Control

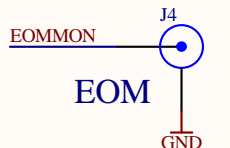
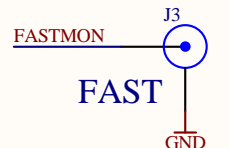
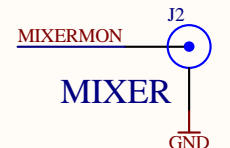
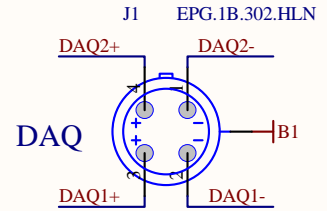
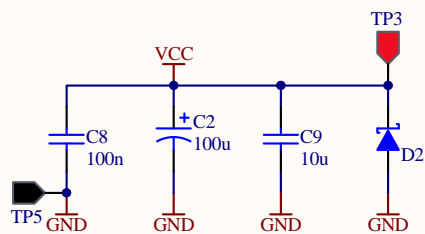
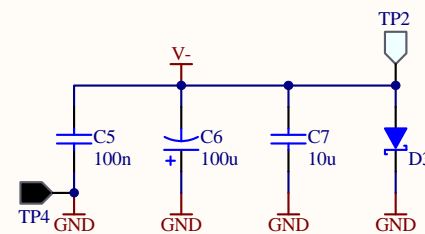
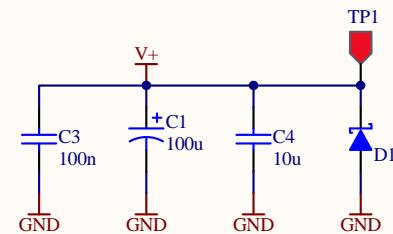
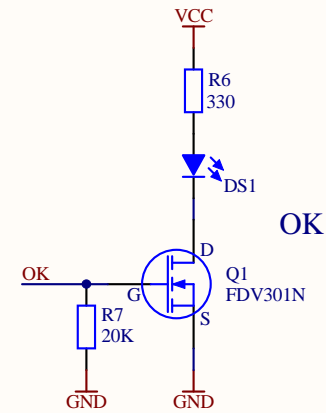


R3A Potentiometer  
Mouser  
652-3610S-1-103

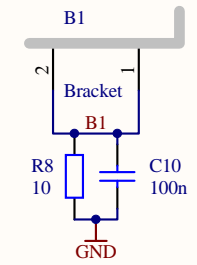
### Fast Gain Control



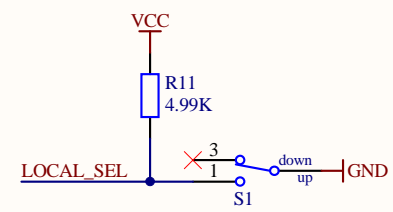
R4A Potentiometer  
Mouser  
652-3610S-1-103



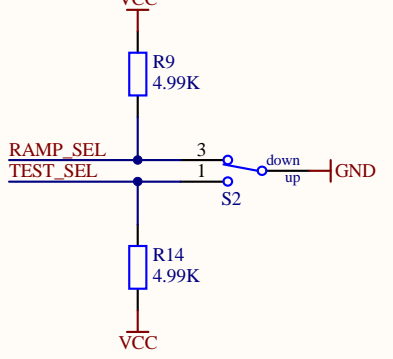
- H1 #4 screw, 3/8"
- H2 #4 screw, 3/8"
- McMaster-Carr 90272A108
- H3 #4 lock washer
- H4 #4 lock washer
- McMaster-Carr 91113A005
- H5 #4 nut
- H6 #4 nut
- McMaster-Carr 90480A005



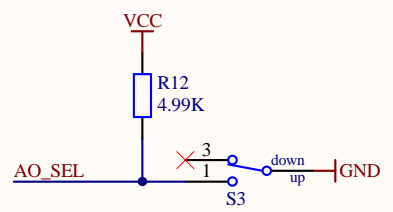
### Local/Remote Selection



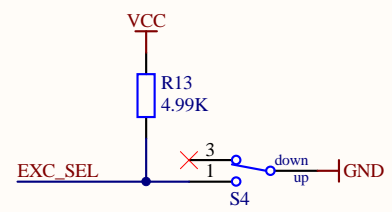
### Ramp/Test Selection



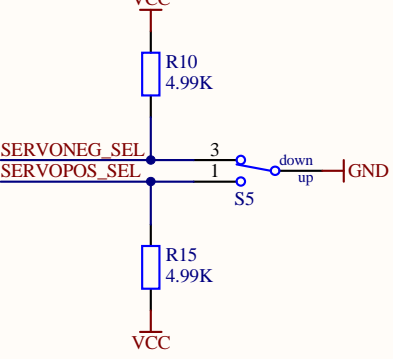
### AO Selection



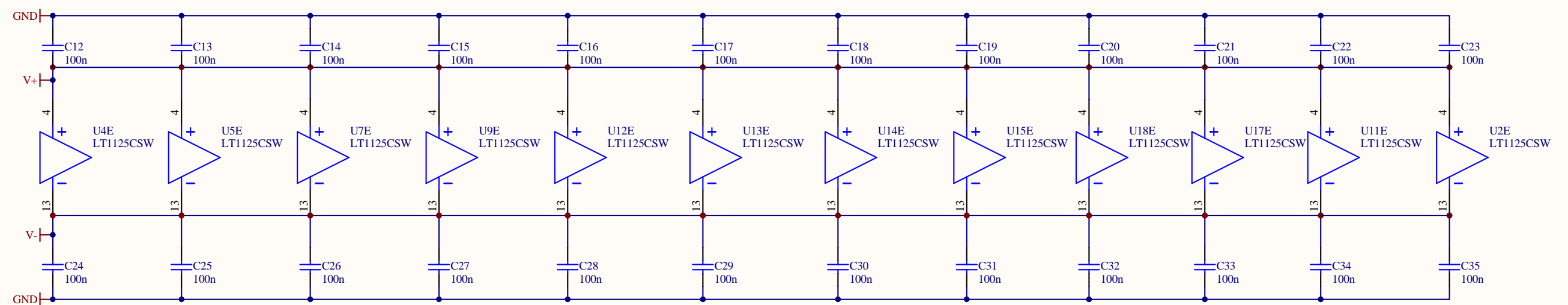
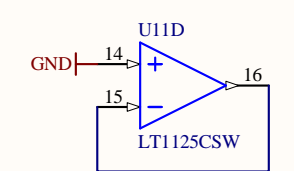
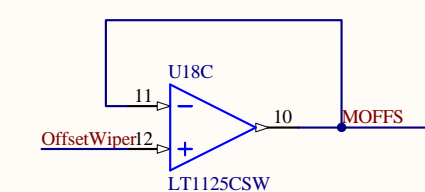
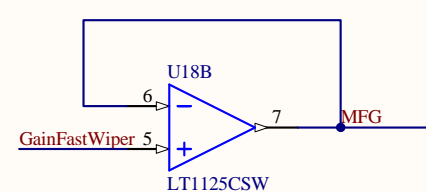
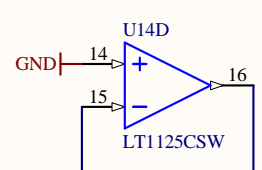
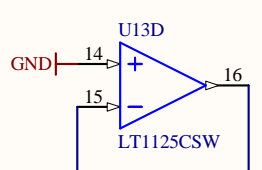
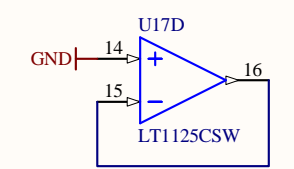
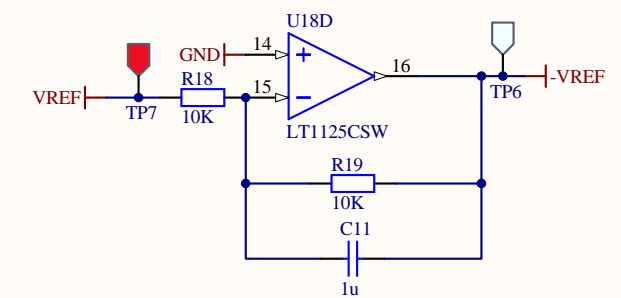
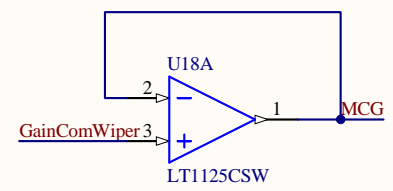
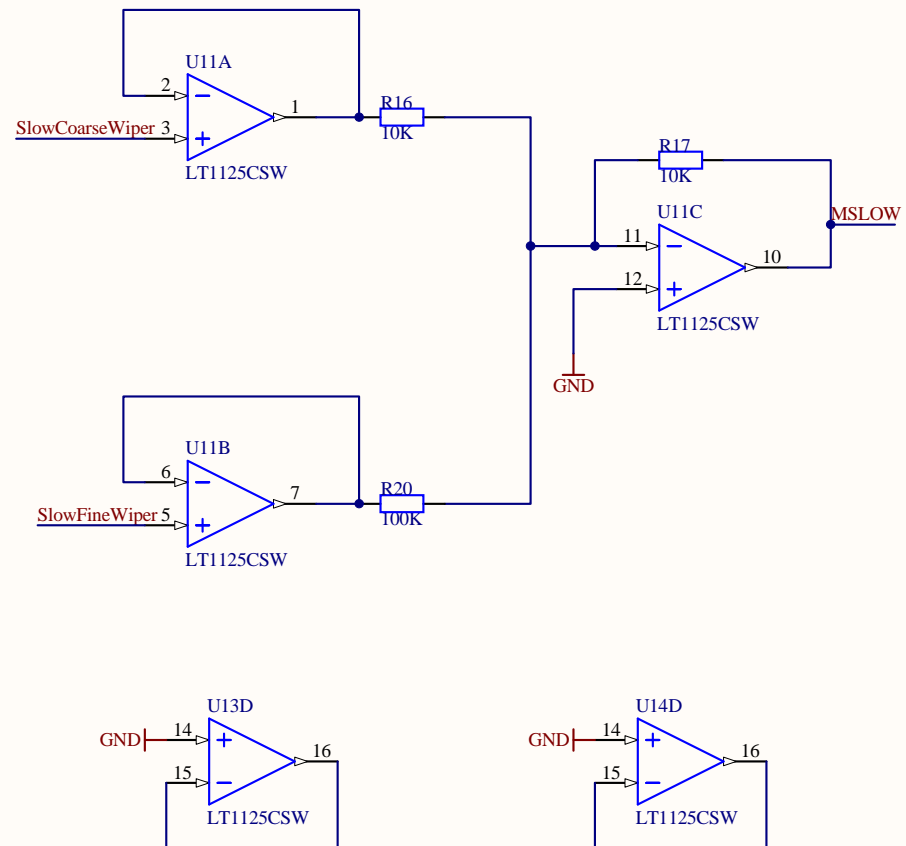
### Excitation Selection



### Servo/Reset Selection

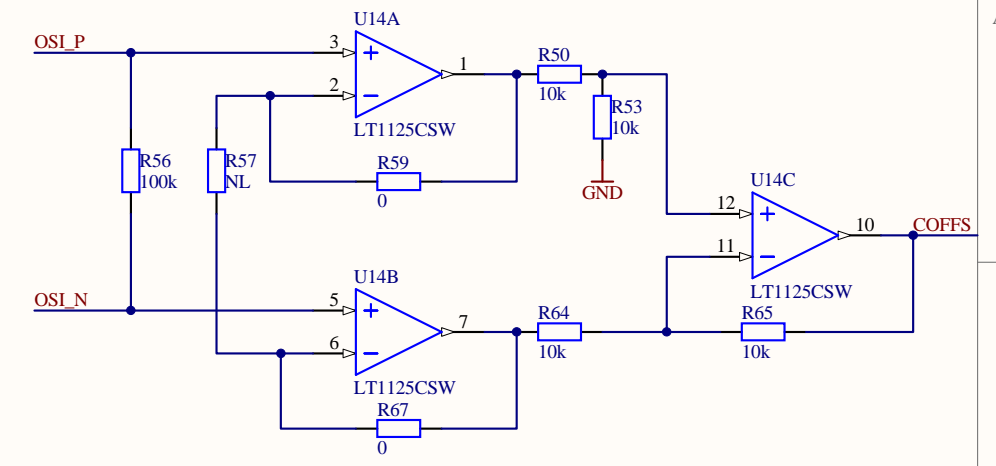
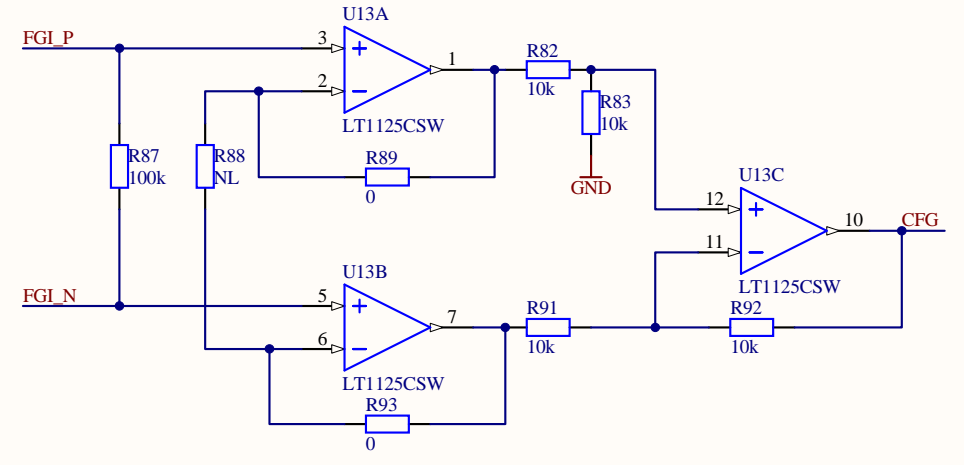
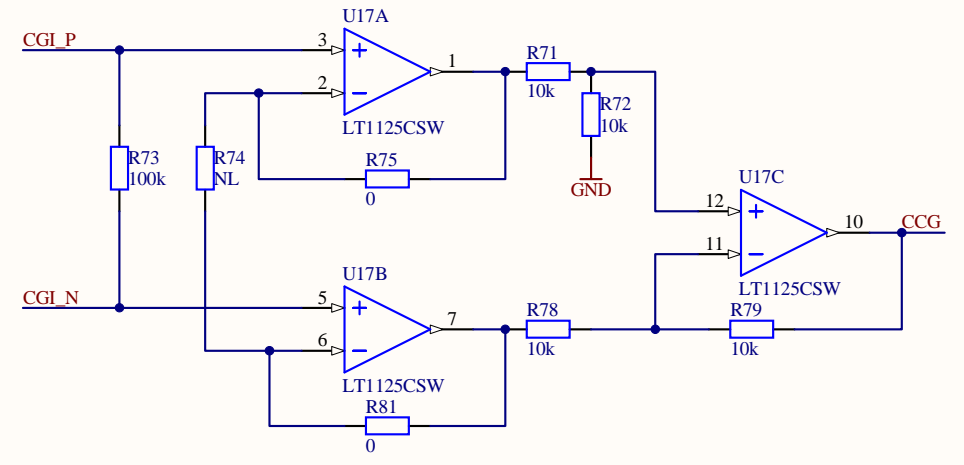
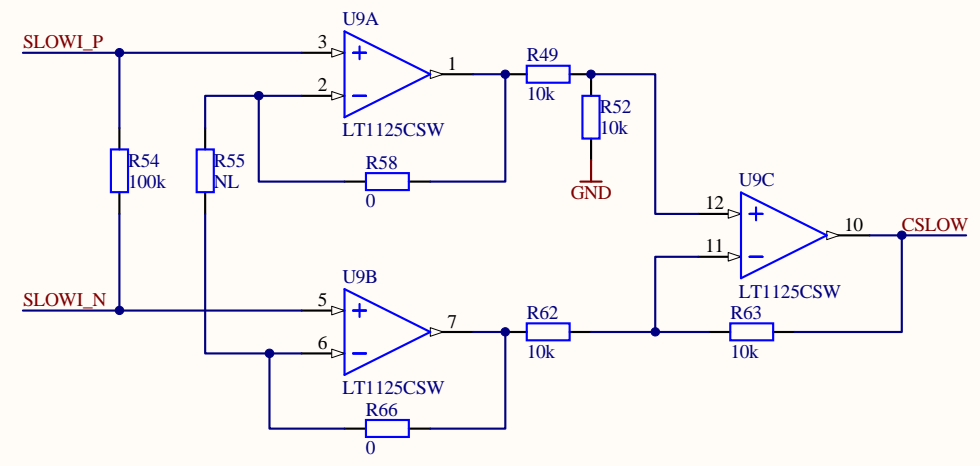
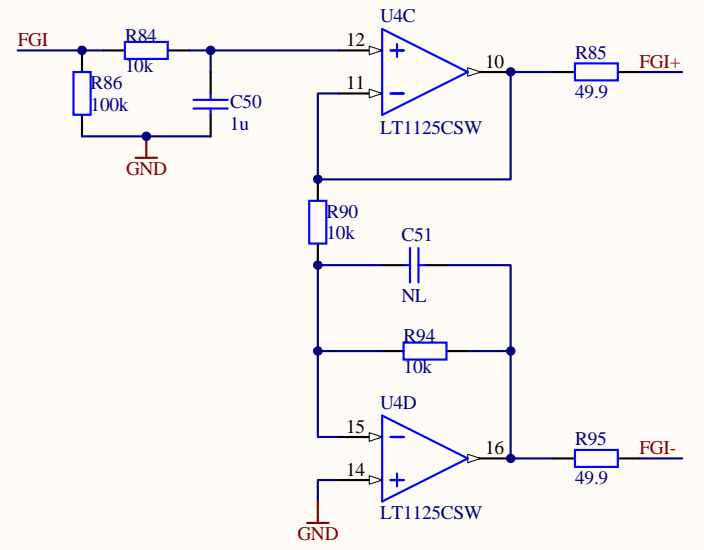
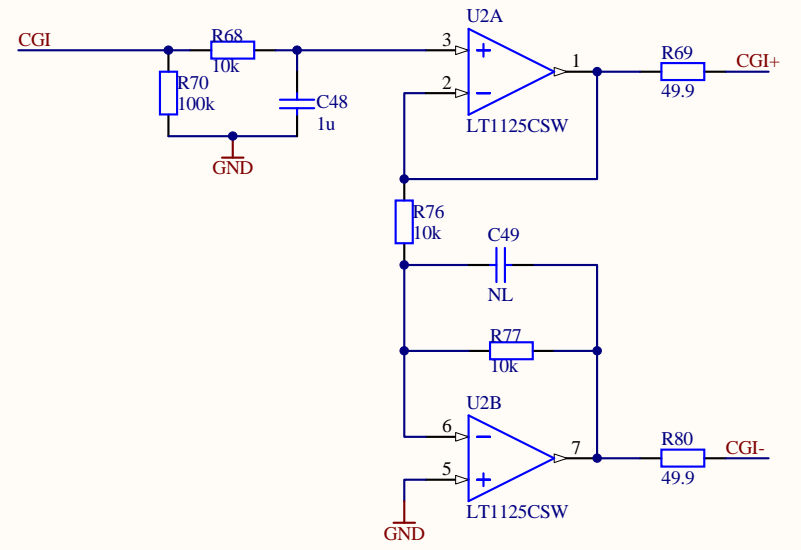
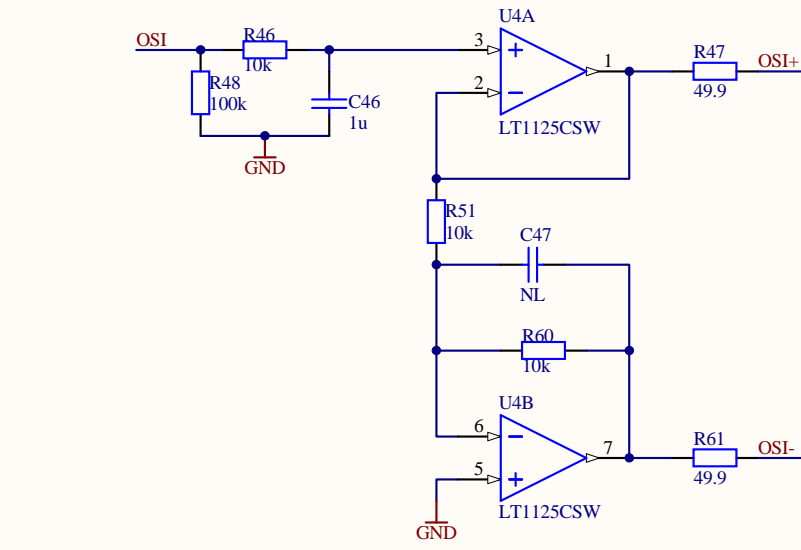


Title <b>TTFSS Interface Board</b>		
Size B	Number <b>D040423</b>	Revision <b>C</b>
Date: 1/12/2010	Sheet 1 of 1	
File: C:\Users\...\TTFSSII.SchDoc	Drawn By: Thomas Corbitt	

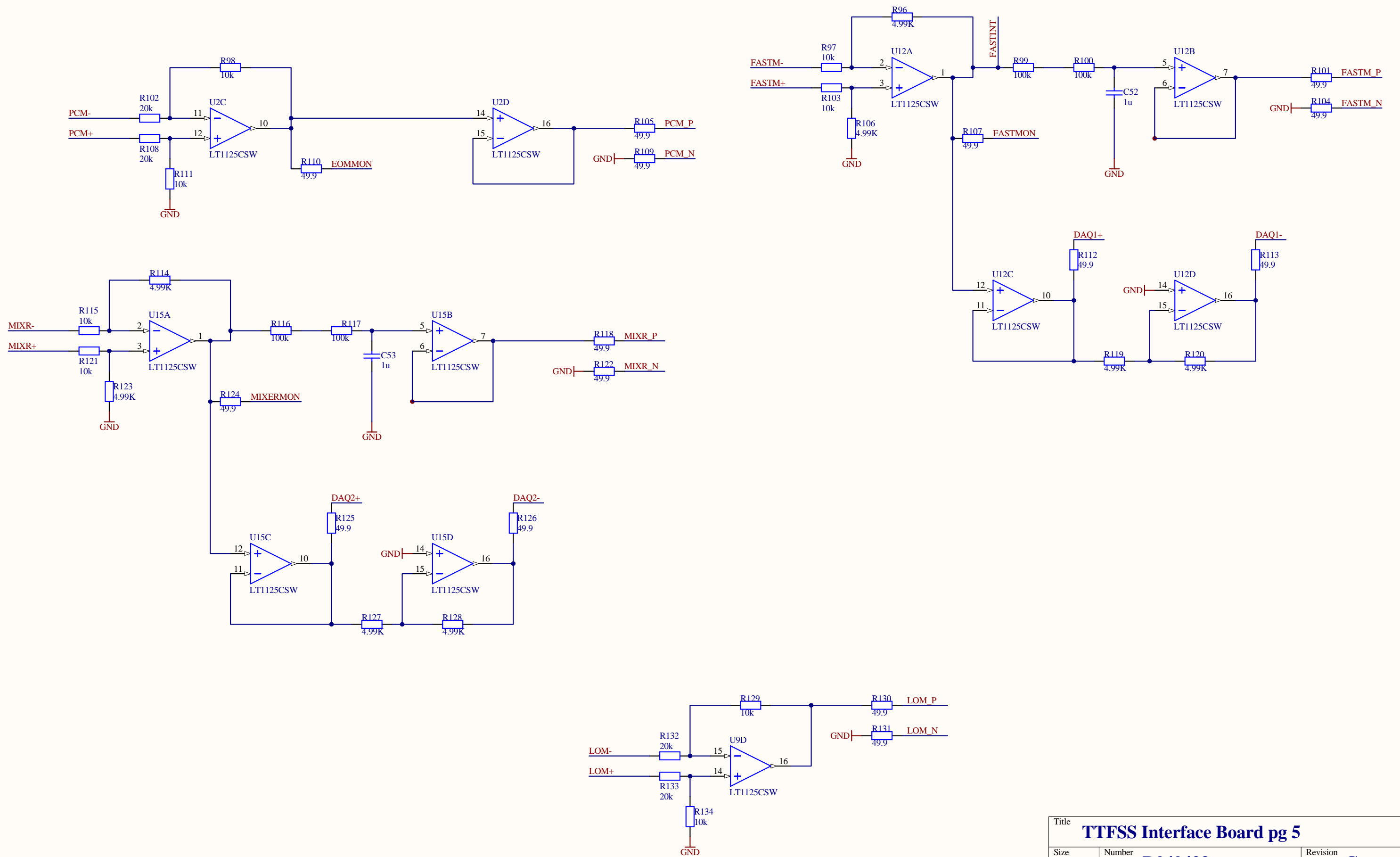


Title		
<b>TTFSS Interface Board pg 2</b>		
Size	Number	Revision
B	<b>D040423</b>	<b>C</b>
Date:	1/12/2010	Sheet of
File:	C:\Users\...\TTFSS12.SchDoc	Drawn By:





Title		
<b>TTFSS Interface Board pg 4</b>		
Size	Number	Revision
B	<b>D040423</b>	<b>C</b>
Date:	1/12/2010	Sheet of
File:	C:\Users\...\TTFSS14.SchDoc	Drawn By:



Title		
<b>TTFSS Interface Board pg 5</b>		
Size	Number	Revision
B	<b>D040423</b>	<b>C</b>
Date:	1/12/2010	Sheet of
File:	C:\Users\...\TTFSS15.SchDoc	Drawn By: