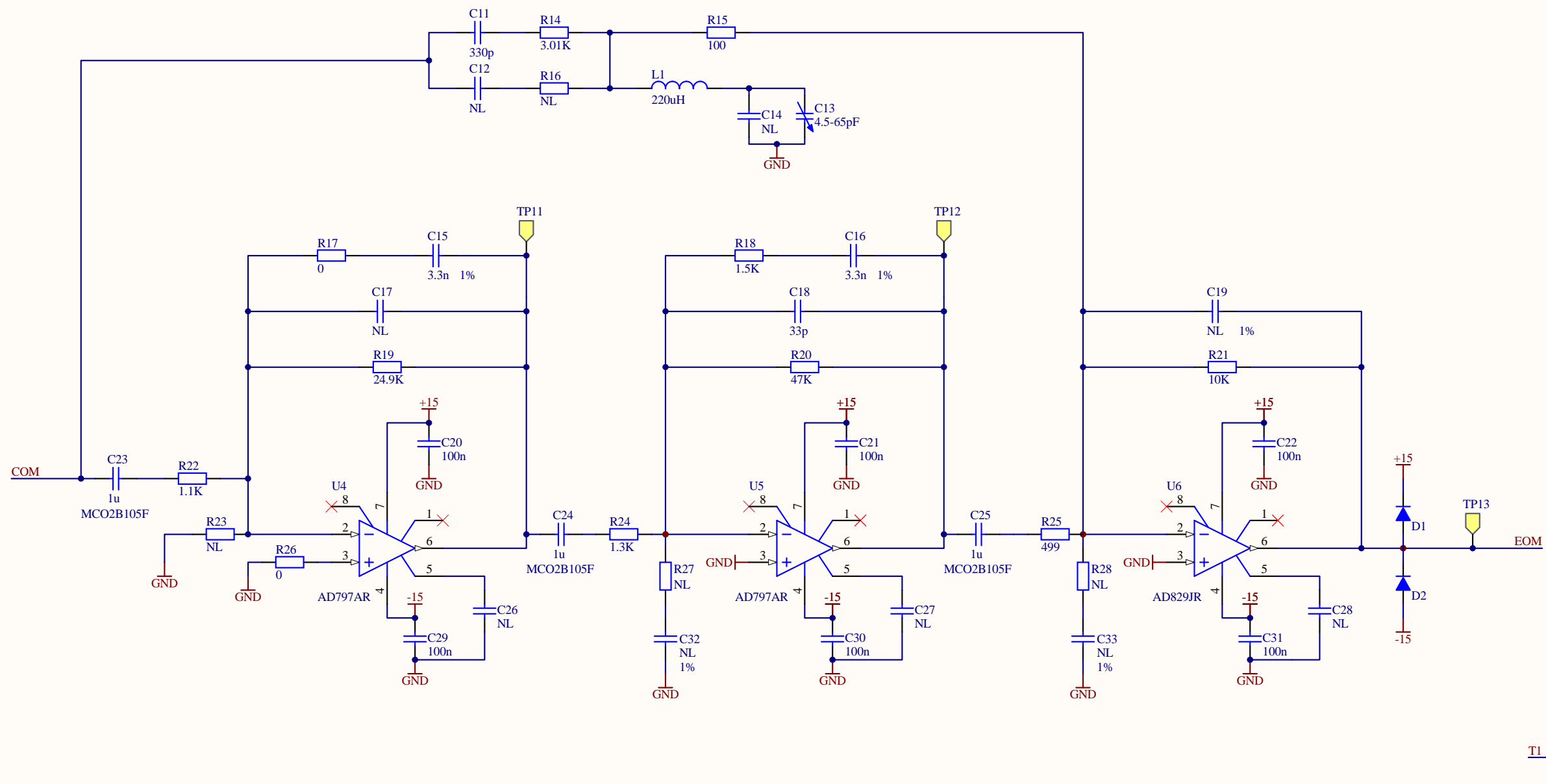
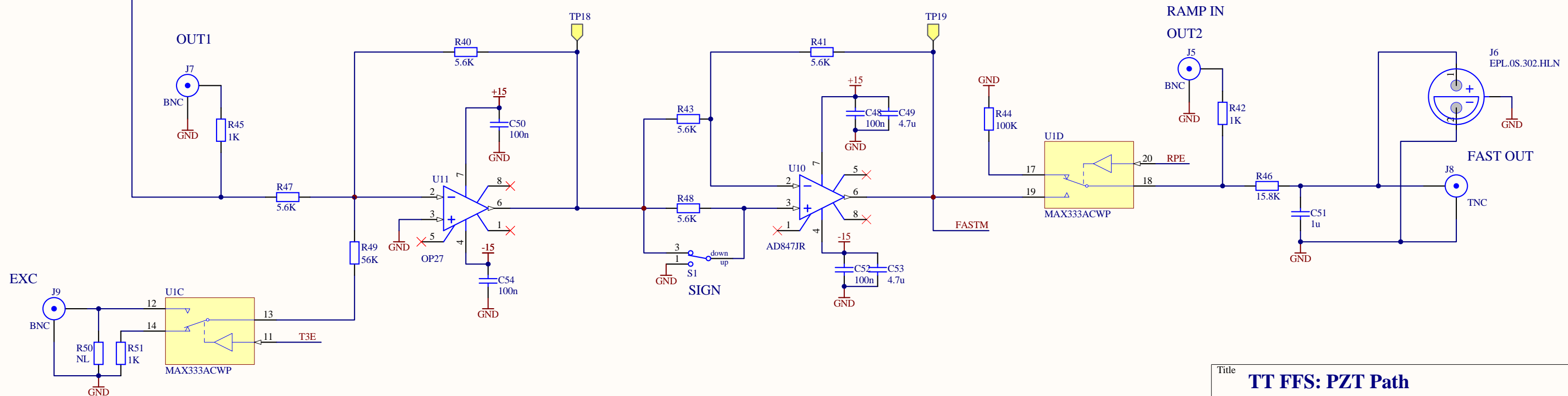
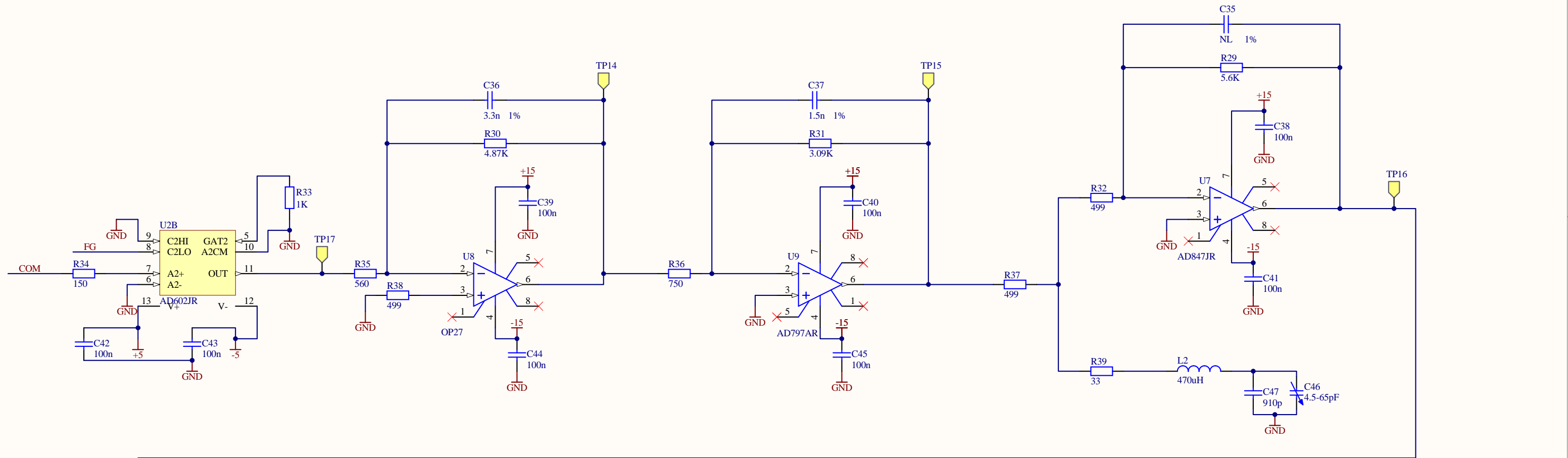


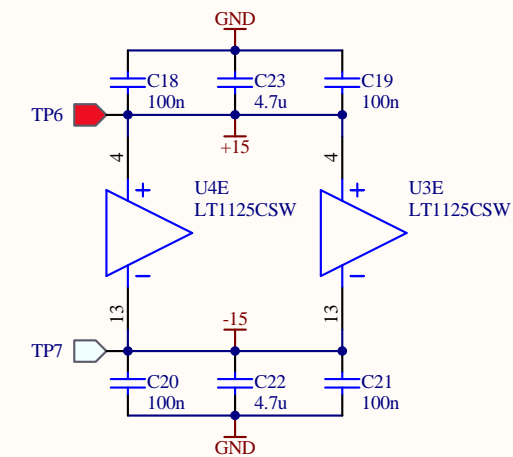
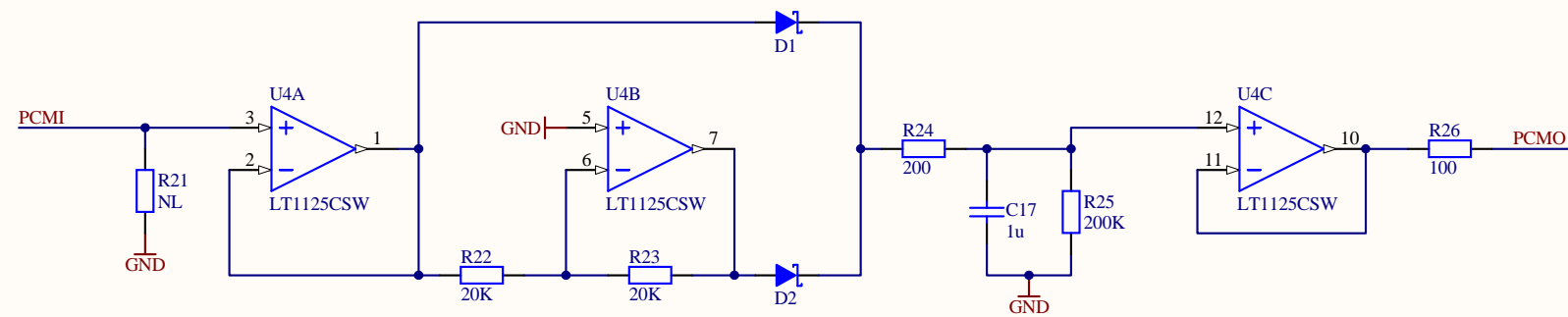
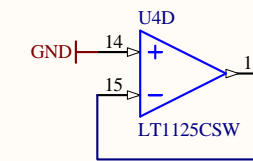
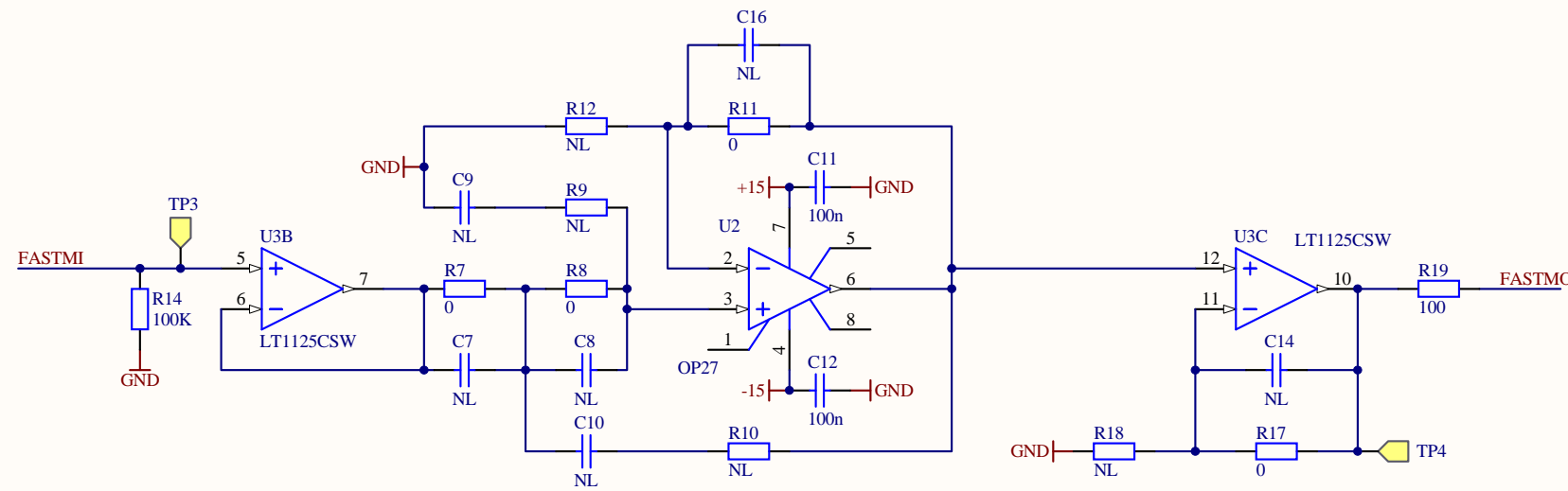
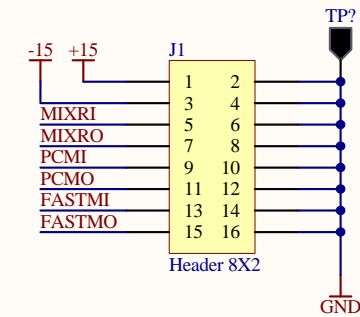
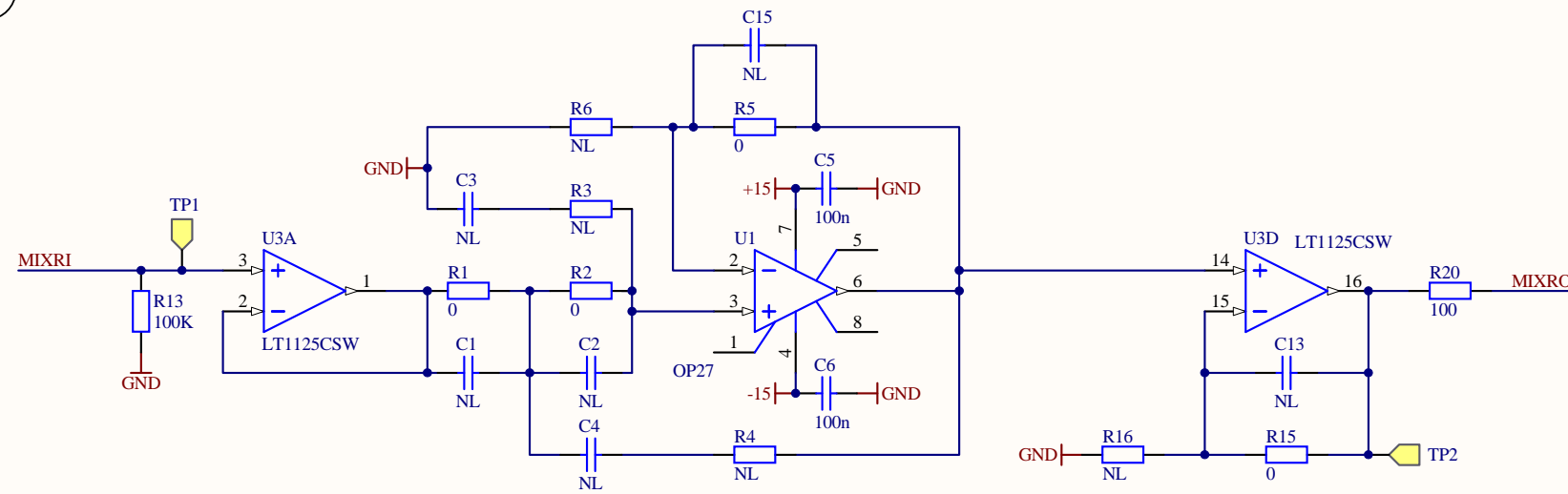
Title		
<b>TT FFS: Common Path</b>		
Size	Number	Revision
B	<b>D040105</b>	<b>C</b>
Date:	9/4/2009	Sheet 1 of 3
File:	C:\Users\...\TTFSS1.SchDoc	Drawn By: P. Schwinberg/J. Myers



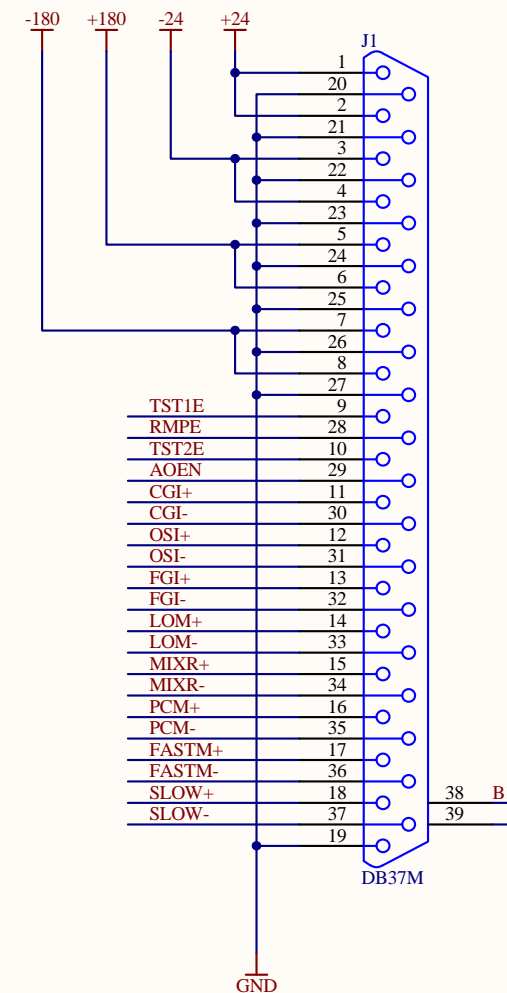
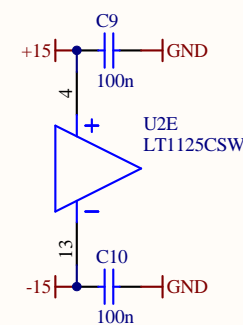
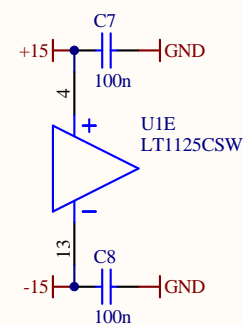
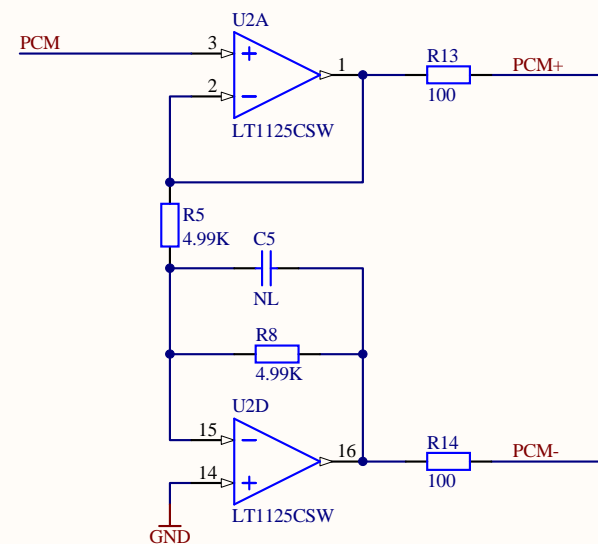
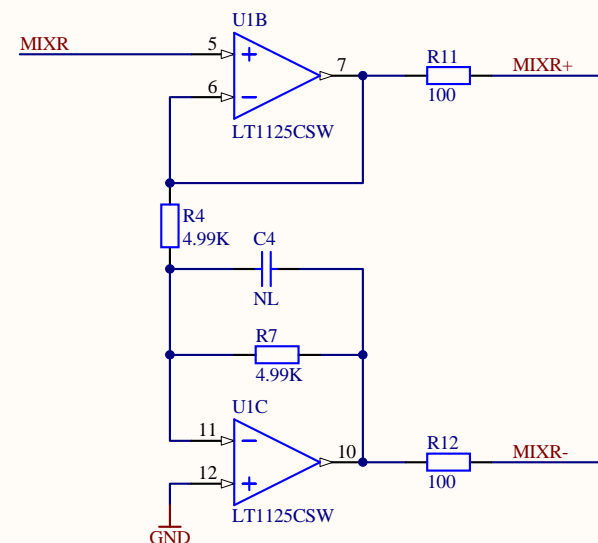
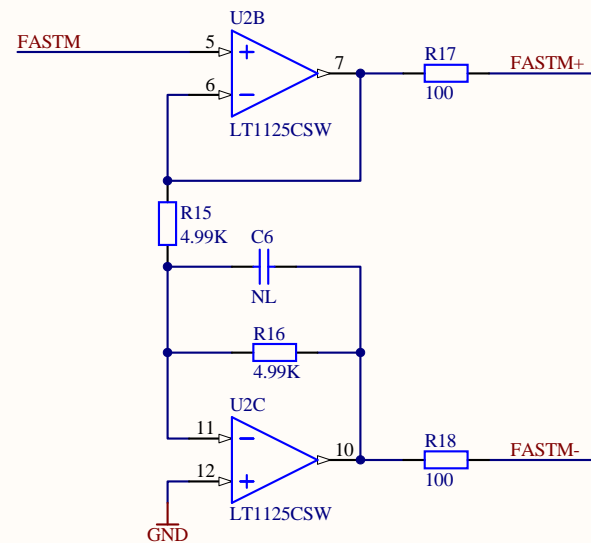
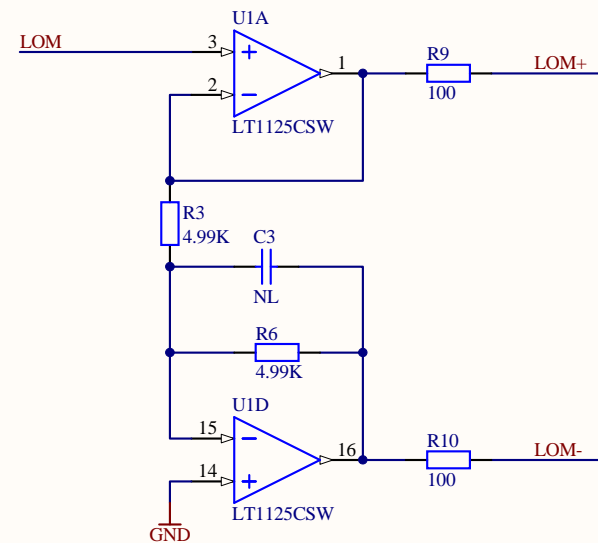
Title		
<b>TT FFS: EOM Path</b>		
Size	Number	Revision
B	<b>D040105</b>	<b>C</b>
Date:	9/4/2009	Sheet 2 of 3
File:	C:\Users\...\TTFFS2.SchDoc	Drawn By: P. Schwinberg/J. Myers



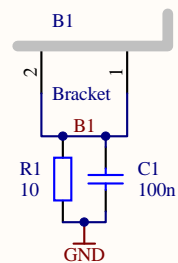
Title		
<b>TT FFS: PZT Path</b>		
Size	Number	Revision
B	<b>D040105</b>	<b>C</b>
Date:	9/4/2009	Sheet 3 of 3
File:	C:\Users\...\TTFFS3.SchDoc	Drawn By: P. Schwinberg/J. Myers



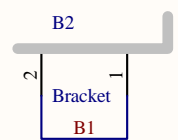
Title <b>TTFSS Daughter Board</b>		
Size B	Number <b>D040424</b>	Revision <b>B</b>
Date: 9/4/2009	Sheet 1 of 1	
File: C:\Users\...\TTFSSD.SchDoc	Drawn By: P. Schwinberg/J. Myers	



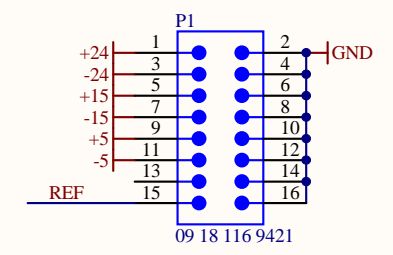
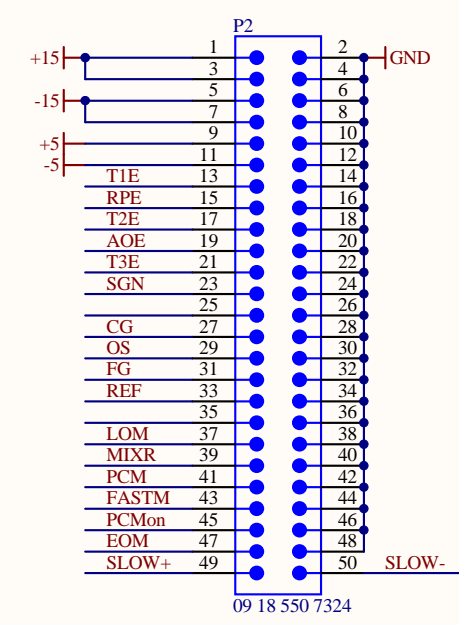
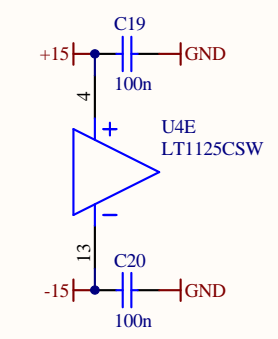
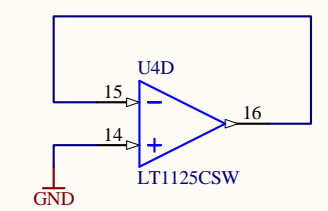
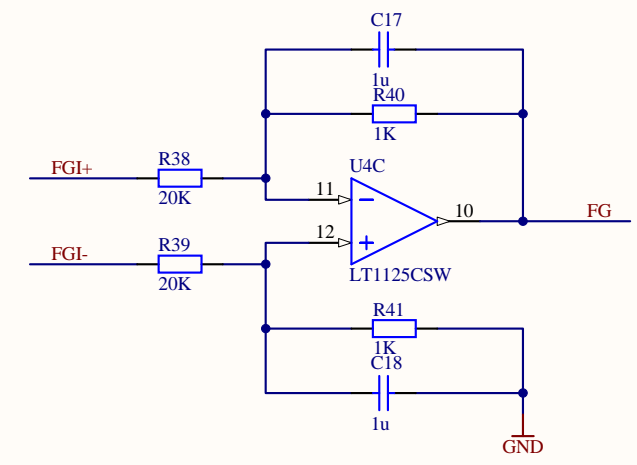
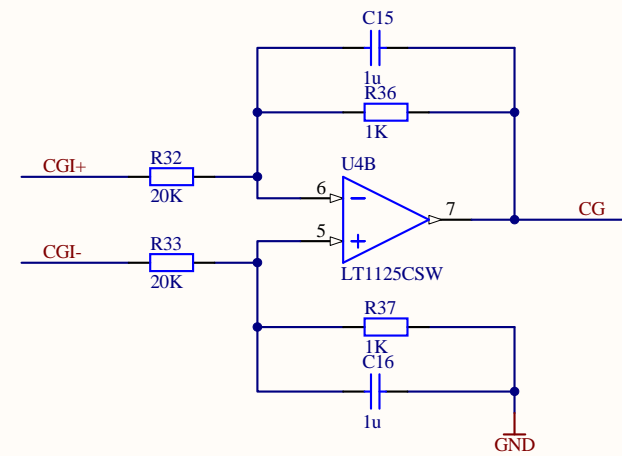
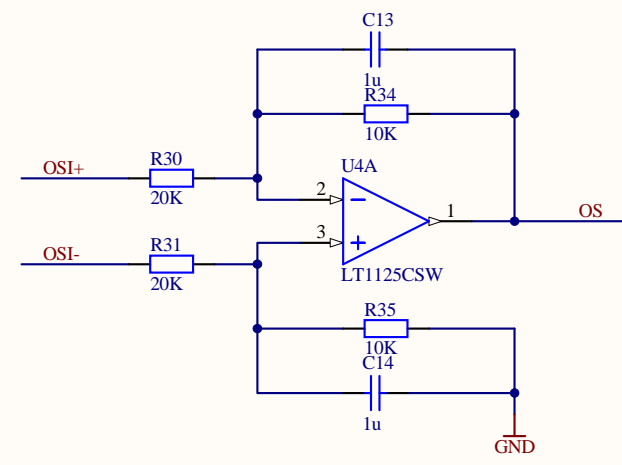
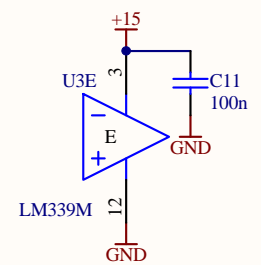
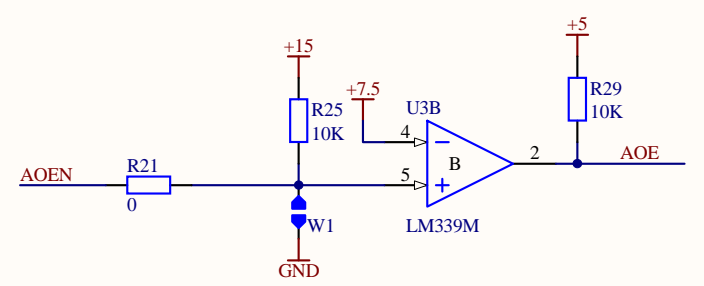
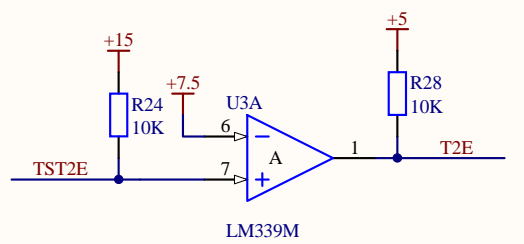
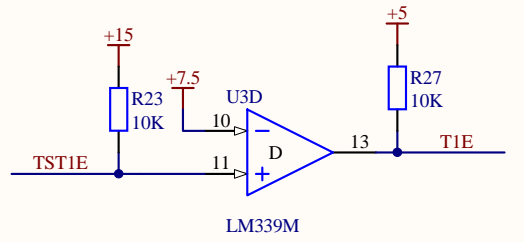
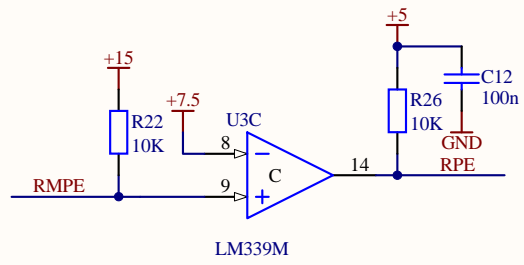
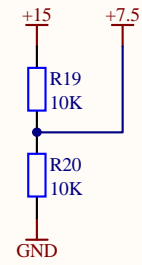
- H1 #4 screw, 3/8"
- H2 #4 screw, 3/8"
- McMaster-Carr 90272A108
- H3 #4 lock washer
- H4 #4 lock washer
- McMaster-Carr 91113A005
- H5 #4 nut
- H6 #4 nut
- McMaster-Carr 90480A005



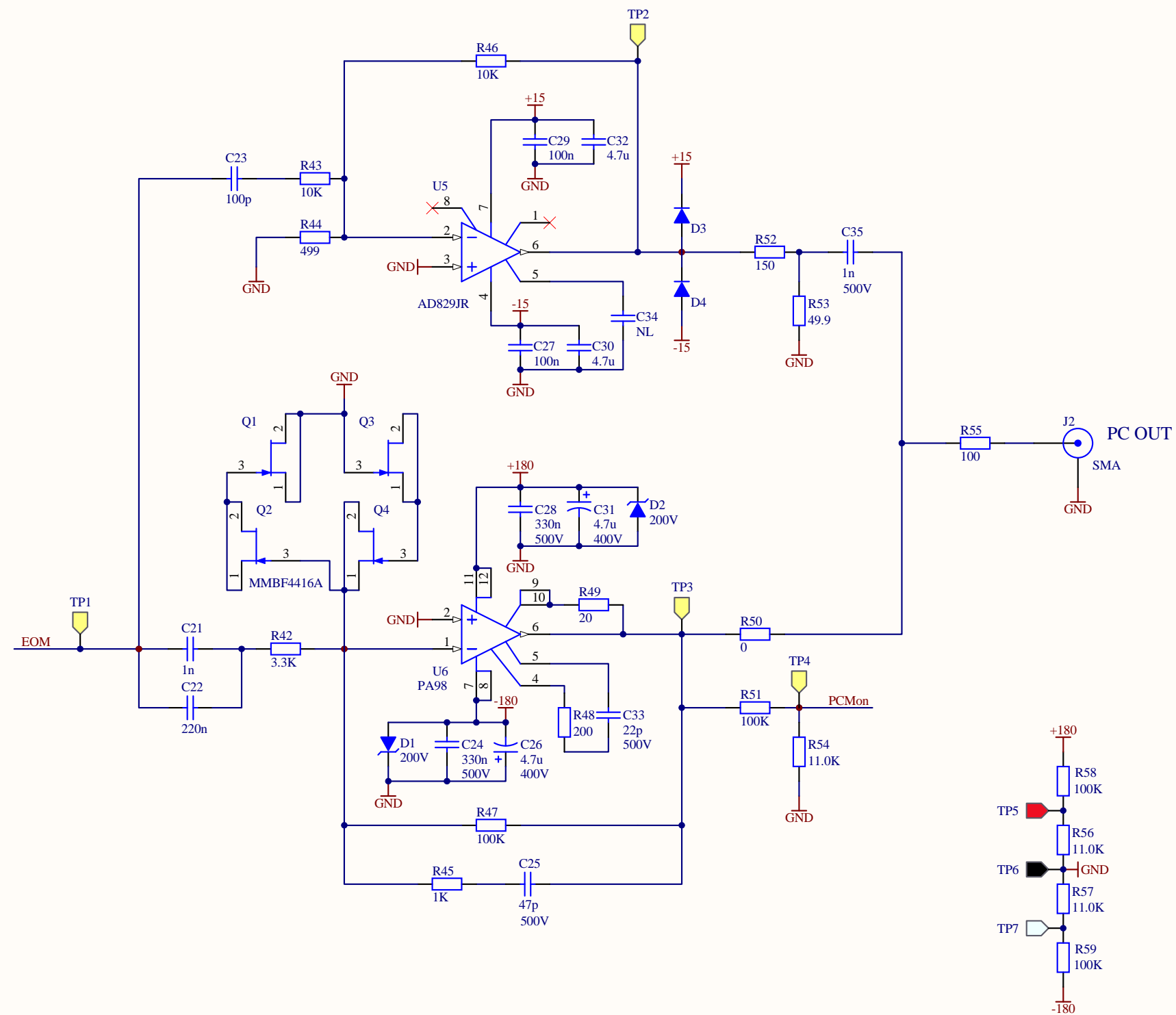
- H7 #4 screw, 3/8"
- H8 #4 screw, 3/8"
- McMaster-Carr 91099A165
- H9 #4 lock washer
- H10 #4 lock washer
- H11 #4 nut
- H12 #4 nut



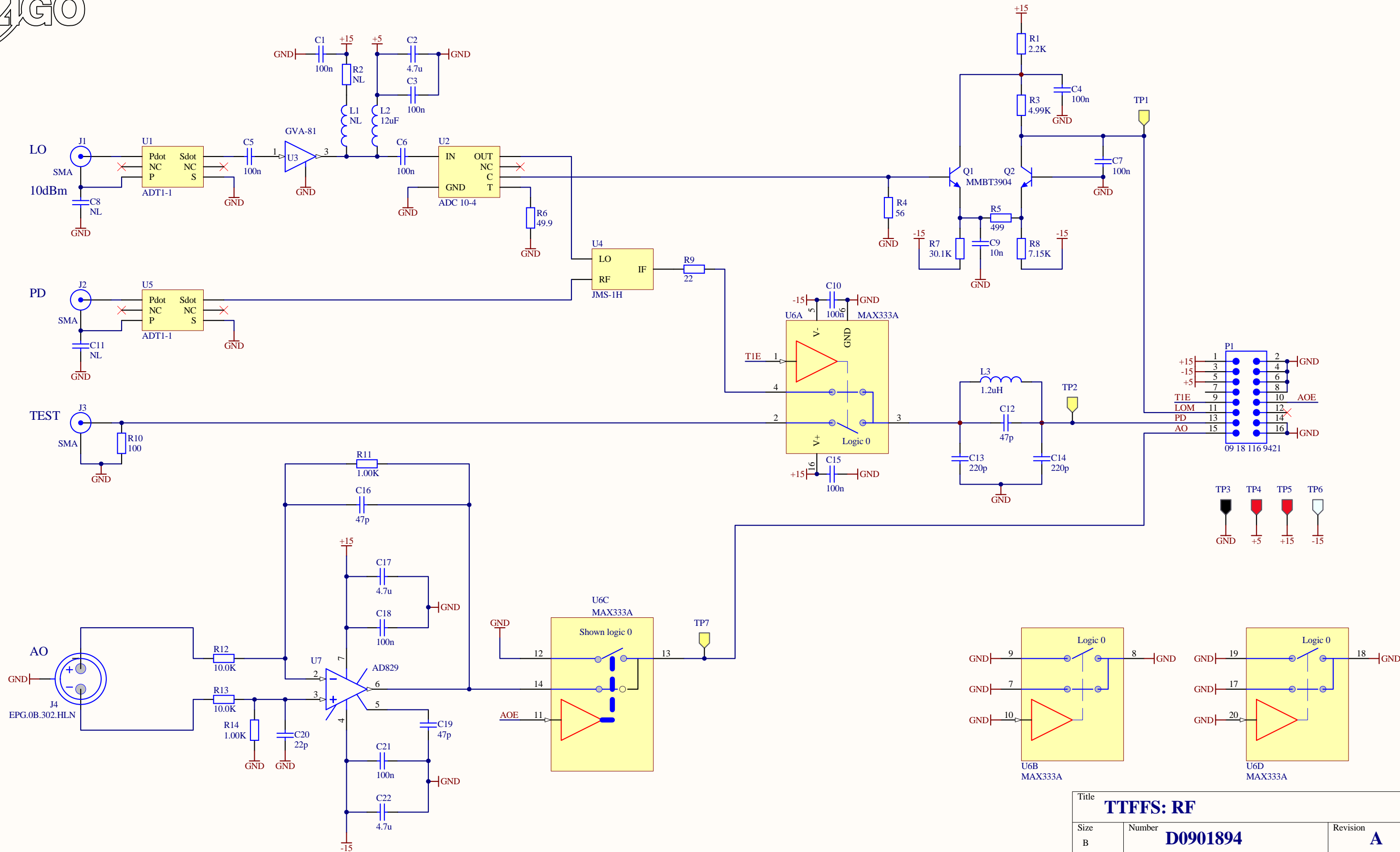
Title <b>TTFFS: HV/Interface</b>		
Size B	Number <b>D0901893</b>	Revision <b>A</b>
Date: 9/4/2009	Sheet 1 of 3	
File: C:\Users\...\TTFSSHV1.SchDoc	Drawn By: P. Schwinberg/J. Myers	



Title <b>TTFFS: HV/Interface</b>		
Size B	Number <b>D0901893</b>	Revision <b>A</b>
Date: 9/4/2009	Sheet 2 of 3	
File: C:\Users\...\TTFSSHV2.SchDoc	Drawn By: P. Schwinberg/J. Myers	

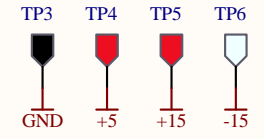
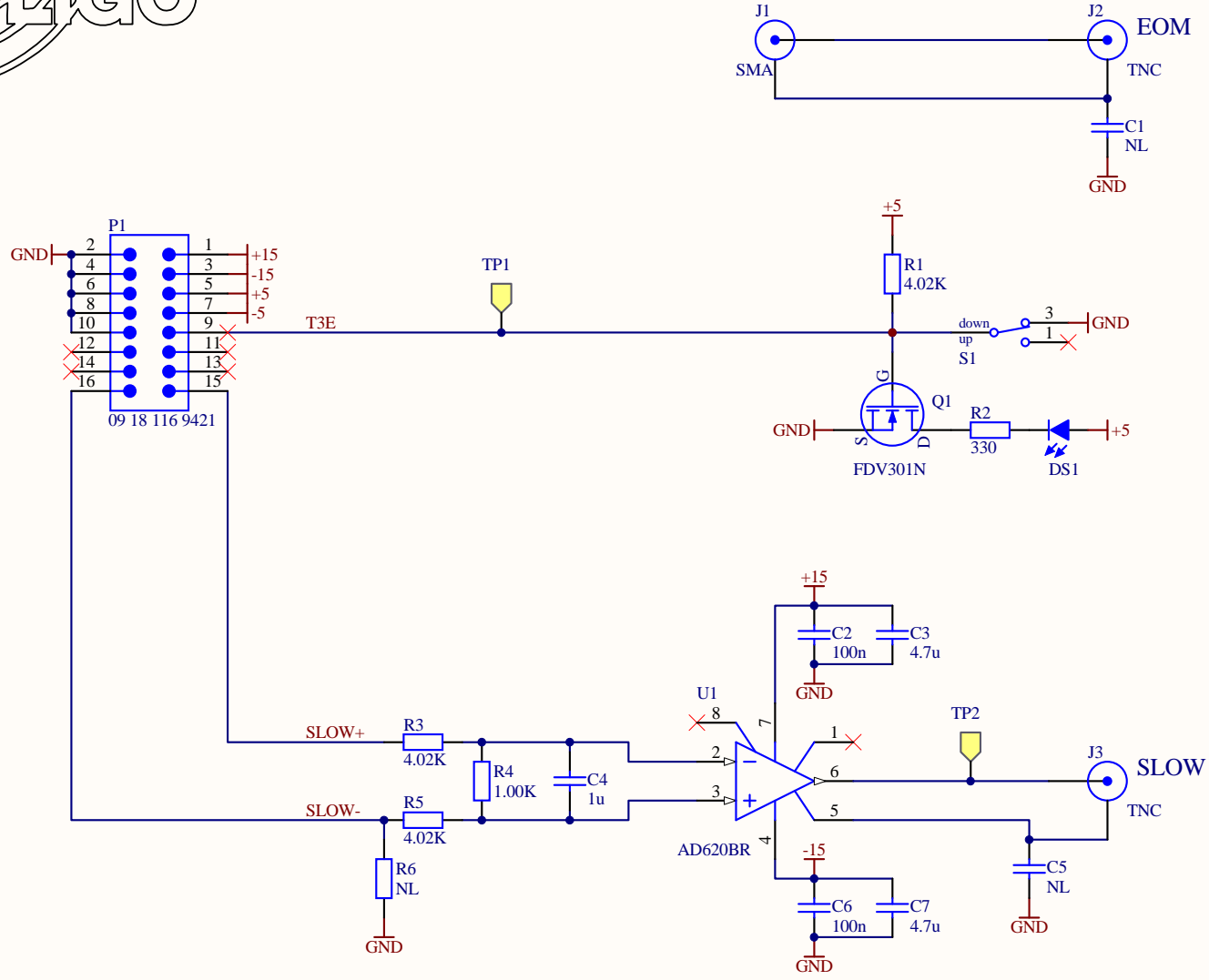
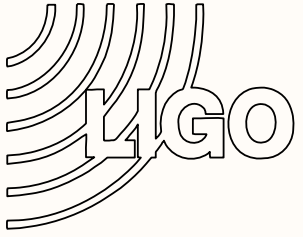


Title		
<b>TTFFS: HV/Interface</b>		
Size	Number	Revision
B	<b>D0901893</b>	<b>A</b>
Date:	9/4/2009	Sheet 3 of 3
File:	C:\Users\...\TTFSSHV3.SchDoc	Drawn By: P. Schwinberg/J. Myers

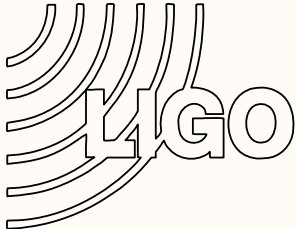


Title		
<b>TTFSS: RF</b>		
Size	Number	Revision
B	<b>D0901894</b>	<b>A</b>
Date:	9/4/2009	Sheet 1 of 1
File:	C:\Users\...\TTFSSRF1.SchDoc	Drawn By: P. Schwinberg/J. Myers



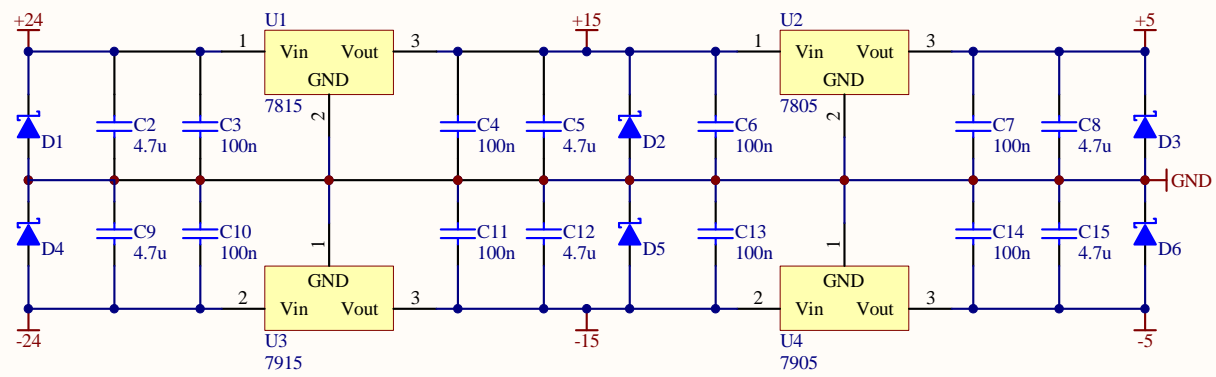
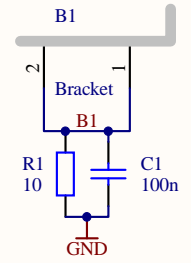


Title		
<b>TTFSS: Slow</b>		
Size	Number	Revision
A	<b>D0901895</b>	<b>A</b>
Date:	9/4/2009	Sheet 1 of 1
File:	C:\Users\...\TTFSSSlow1.SchDoc	Drawn By: P. Schwinberg/J. Myers

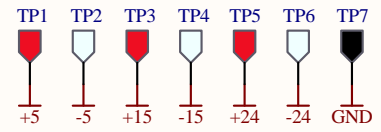
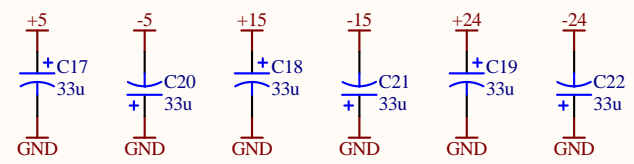
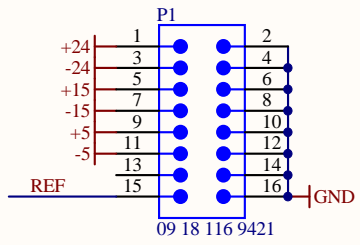
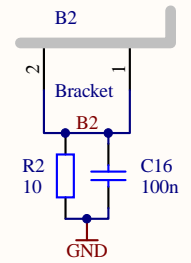


- |                                |                                |                                |                                |
|--------------------------------|--------------------------------|--------------------------------|--------------------------------|
| H3 #4 screw, flat, 1/2"        | H4 #4 screw, flat, 1/2"        | H5 #4 screw, flat, 1/2"        | H6 #4 screw, flat, 1/2"        |
| H7 #4 lock washer              | H8 #4 lock washer              | H9 #4 lock washer              | H10 #4 lock washer             |
| H12 #4 nut                     | H13 #4 nut                     | H14 #4 nut                     | H15 #4 nut                     |
| H17 insulator                  | H18 insulator                  | H19 insulator                  | H20 insulator                  |
| H21 insulating shoulder washer | H22 insulating shoulder washer | H23 insulating shoulder washer | H24 insulating shoulder washer |

- H1 #4 screw, 3/8"  
 H2 #4 screw, 3/8"  
 McMaster-Carr  
 90272A108  
 H11 #4 lock washer  
 H16 #4 lock washer  
 McMaster-Carr  
 91113A005  
 H25 #4 nut  
 H26 #4 nut  
 McMaster-Carr  
 90480A005



- H27 #4 screw, 3/8"  
 H28 #4 screw, 3/8"  
 McMaster-Carr  
 91099A165  
 H29 #4 lock washer  
 H30 #4 lock washer  
 H31 #4 nut  
 H32 #4 nut



Title <b>TTFSS: Power</b>		
Size A	Number <b>D0901896</b>	Revision <b>A</b>
Date: 9/4/2009	Sheet 1 of 1	
File: C:\Users\...\TTFSSPower1.SchDoc	Drawn By: P. Schwinberg/J. Myers	